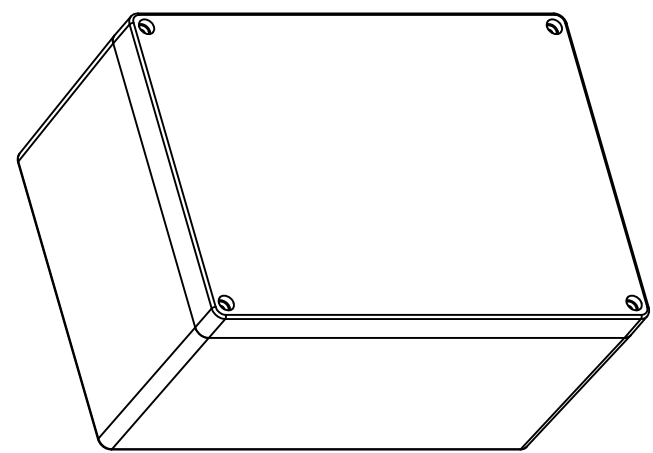
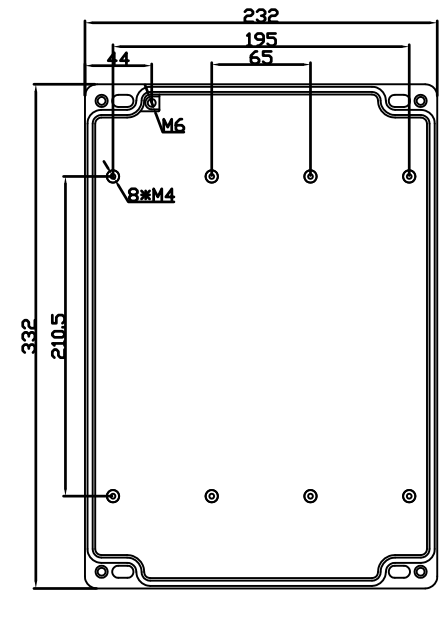
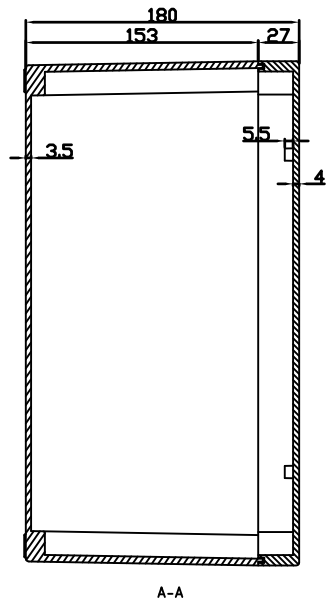
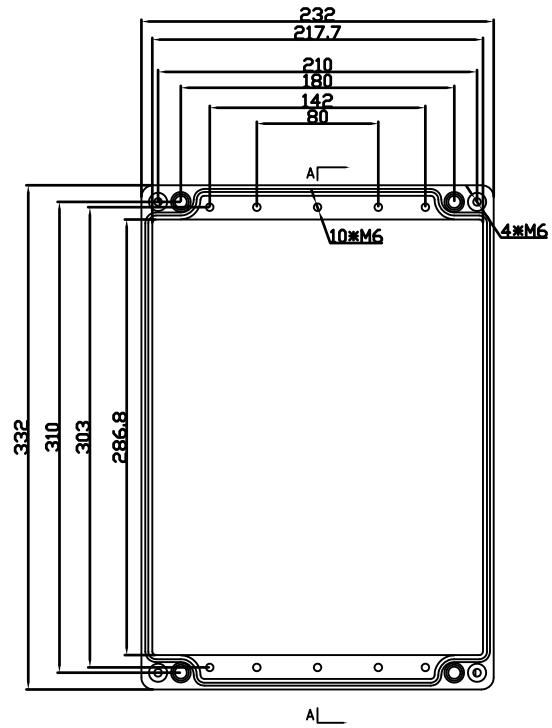
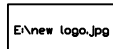


| REVISION RECORD | | | | |
|-----------------|-----|-------------|------|------|
| REV | ECD | DESCRIPTION | DRFT | CHKD |
| | | | | |



| | | | | |
|------------------------|----------------------------|-------------------|---------|---|
| DETACHED LISTS | MM (INCH) | DFTD | DATE |  EVEREST WWW.EVERESTCASE.COM |
| | TOLERANCES EXCEPT AS NOTED | CHKD | DATE | |
| | MM | MFD | DATE | |
| | MM | APPVL | DATE | |
| MATERIAL : AL | | TITLE | | AW049 |
| ANGLES ± 5° | | DRAWING NO. AW049 | | |
| FIRST ANGLE PROJECTION | | FINISH: | | SIZE A4 |
| SCALE : 1:1 | | SCALE : 1:1 | | REV |
| DO NOT SCALE DRAWING | | | SHEET 1 | OF 1 |