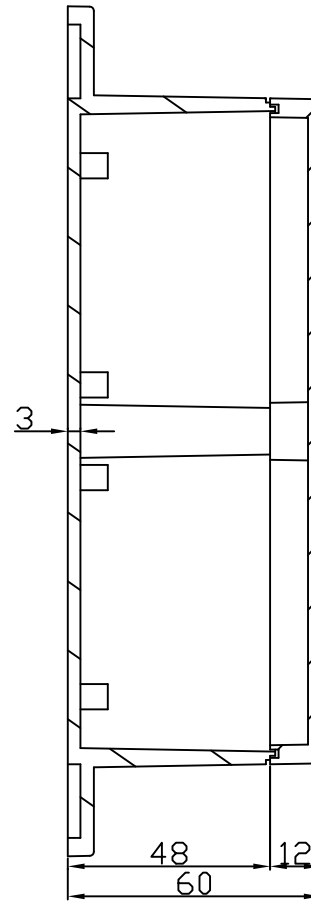
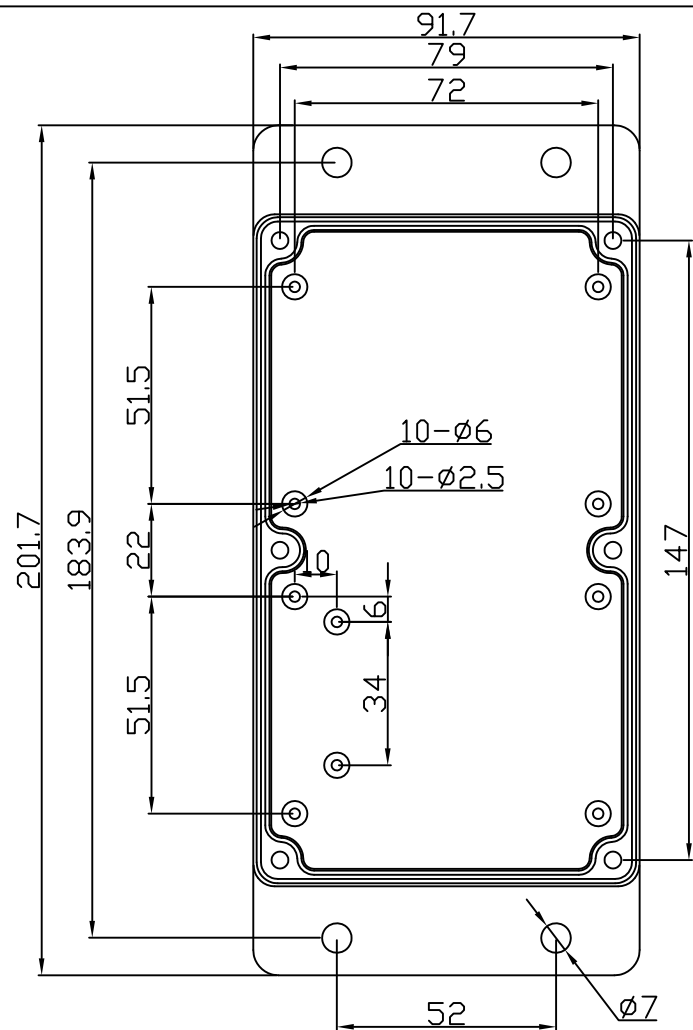
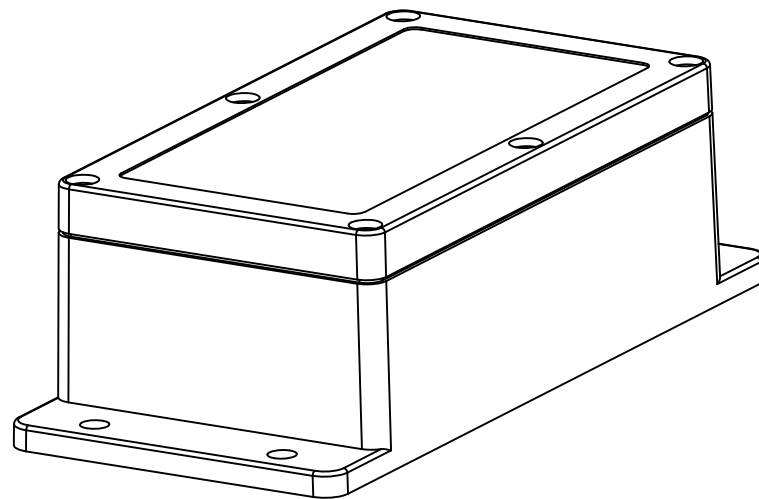
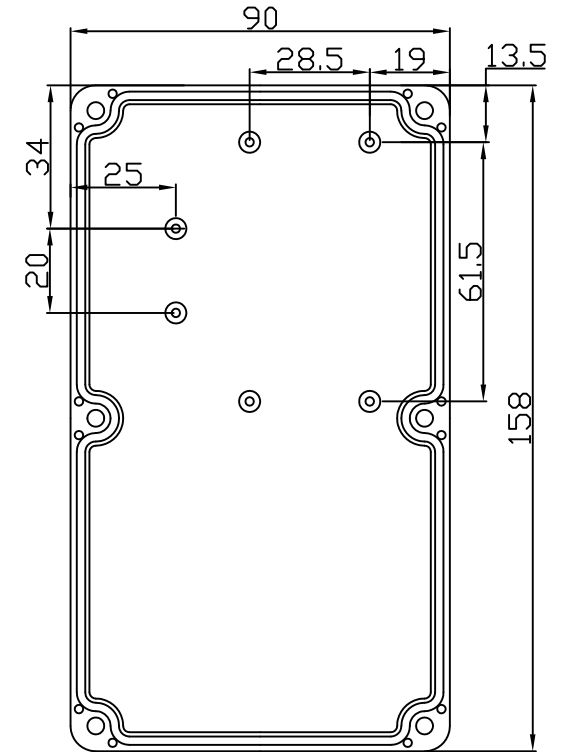
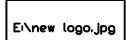


REVISION RECORD				
REV	ECD	DESCRIPTION	DRFT	CHKD



A-A



DETACHED LISTS	MM (INCH)	DRAWN	NAME	DATE	 EVEREST WWW.EVERESTCASE.COM	TITLE	PW067	SIZE	REV
	TOLERANCES EXCEPT AS NOTED	Kelvin	02/28/2015						
	MM	CHECKED							
	.0 ± 0.3	ENG APPR							
.00 ± 0.2				MATERIAL : ABS					
.000 ± 0.1				QT'Y :					
ANGLES ± 5°				FINISH:		DRAWING NO. PW067			
FIRST ANGLE PROJECTION				SCALE : 1:1		/PART NO. 00		A4	
						DO NOT SCALE DRAWING		SHEET 1	OF 1