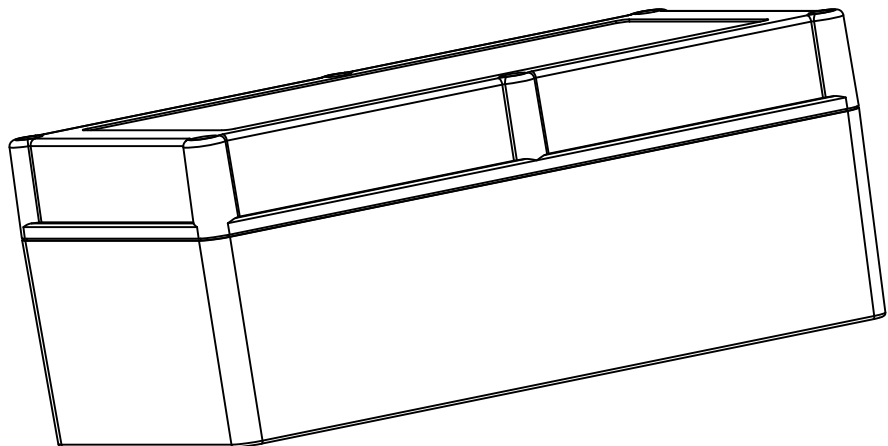
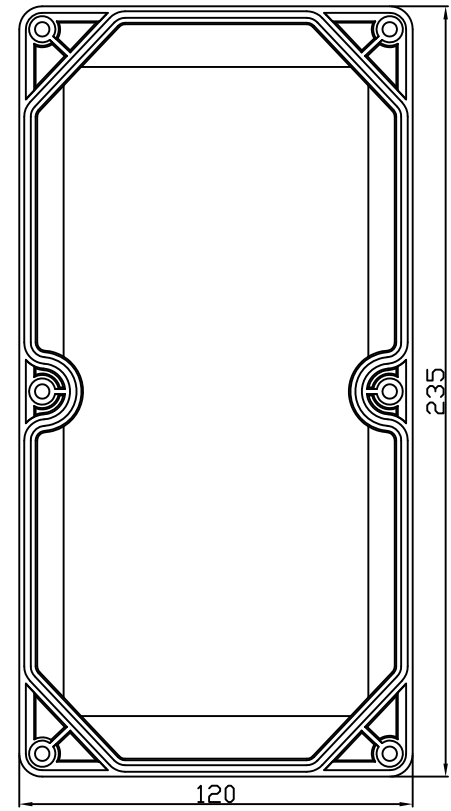
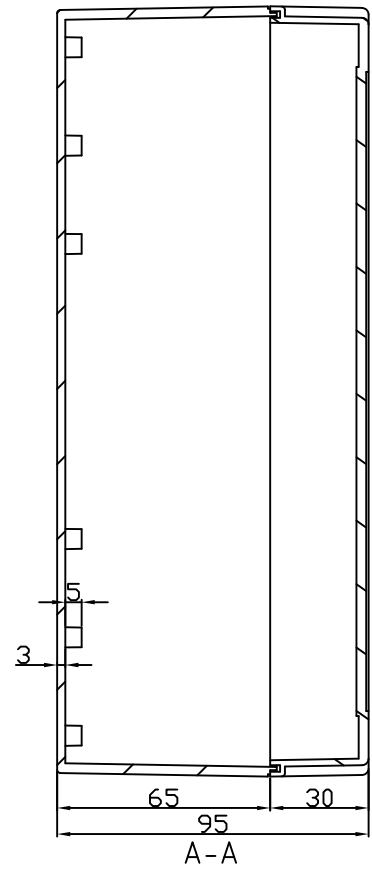
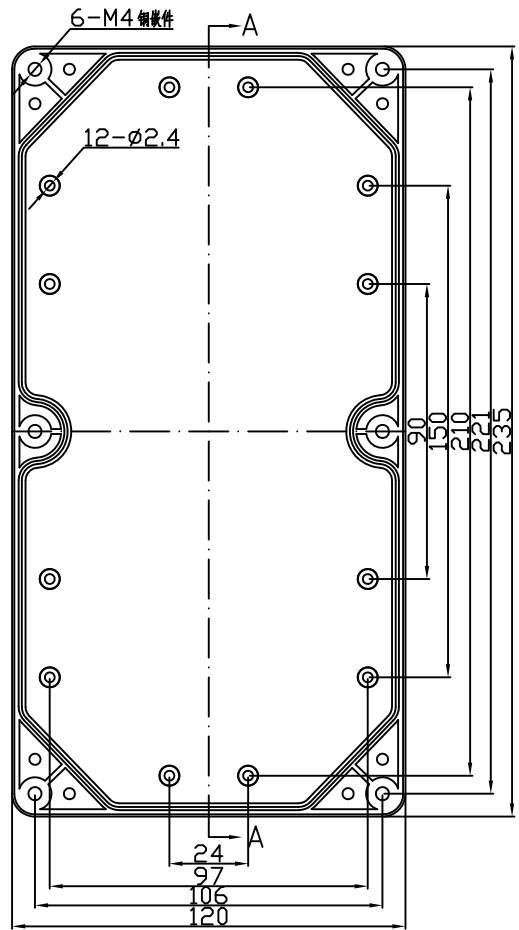


REVISION RECORD				
REV	ECD	DESCRIPTION	DRFT	CHKD



DETACHED LISTS			DRAWN	NAME	DATE	 EVEREST WWW.EVERESTCASE.COM	TITLE		
	TOLERANCES EXCEPT AS NOTED		CHECKED	Aaron	02/04/2015		PW118		
	MM	±	ENG APPR.				DRAWING NO. PW118		
	.0 ± 0.3	±					/PART NO. 00		SIZE
.00 ± 0.2	±	MATERIAL : ABS		QT'Y :		A4			
.000 ± 0.1	±	ANGLES ± 5°		FINISH:		DO NOT SCALE DRAWING		SHEET 1	OF 1
FIRST ANGLE PROJECTION		SCALE : 1:1							