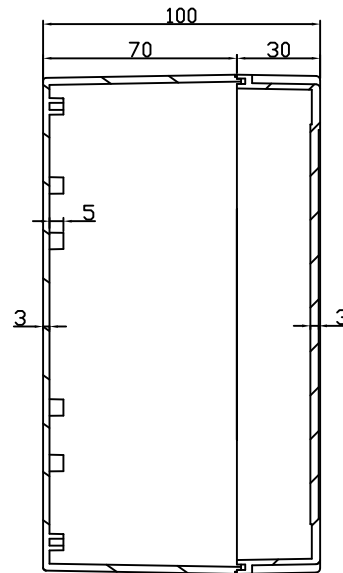
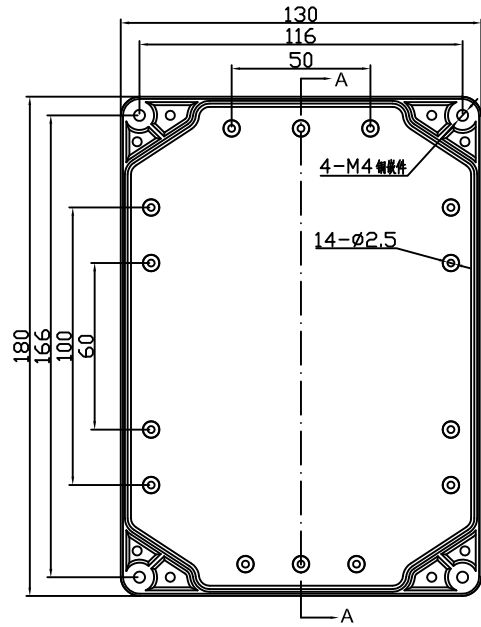
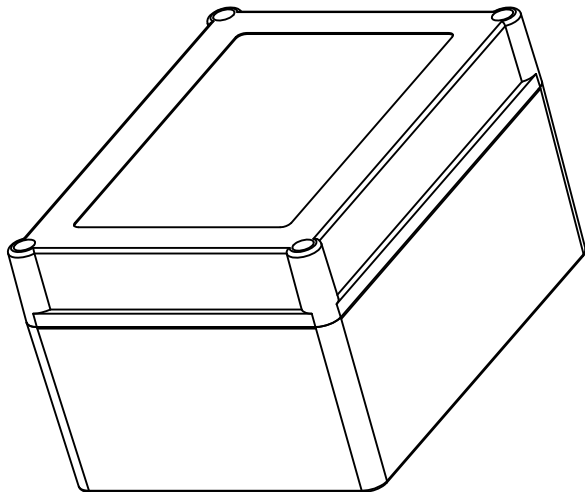
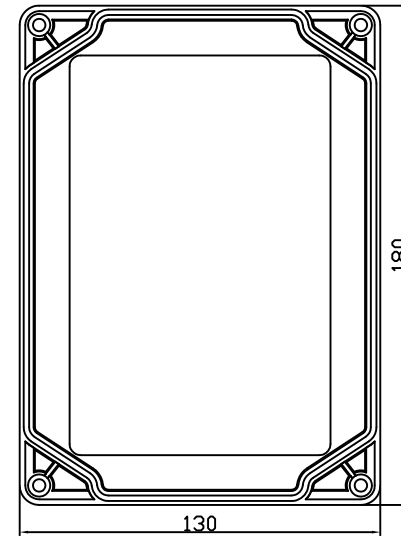


REVISION RECORD				
REV	ECD	DESCRIPTION	DRFT	CHKD



A-A



DETACHED LISTS			DRAWN	NAME	DATE	 EVEREST WWW.EVERESTCASE.COM	TITLE	
	TOLERANCES EXCEPT AS NOTED		CHECKED	Kelvin	01/05/2015		PW110	
	MM	±	ENG APPR.				DRAWING NO. PW110	
	.0 ± 0.3	±					/PART NO. 00	
.00 ± 0.2	±	MATERIAL : ABS		QT'Y :	SIZE	REV	A4	
.000 ± 0.1	±	ANGLES ± 5°		FINISH:	DO NOT SCALE DRAWING	SHEET 1	OF 1	
FIRST ANGLE PROJECTION		SCALE : 1:1						