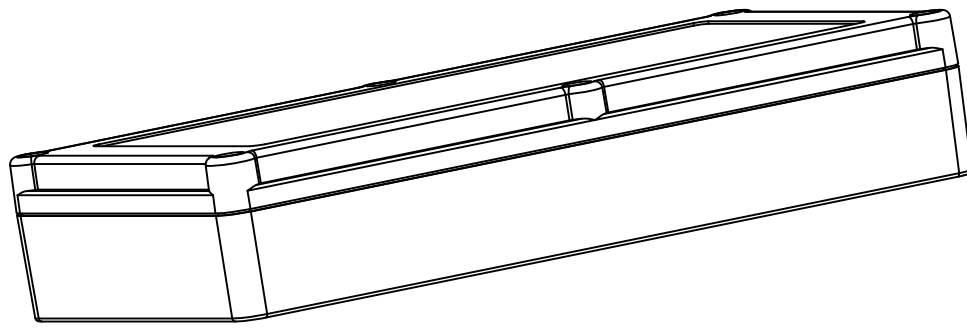
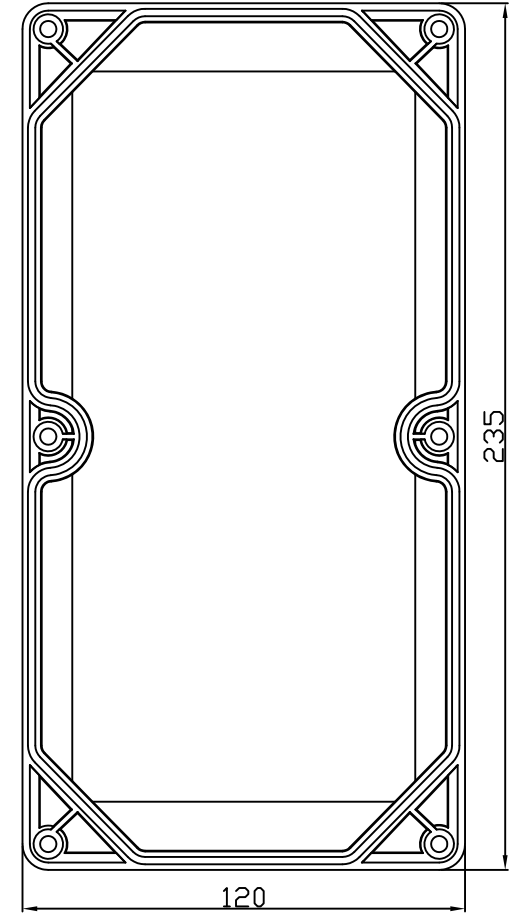
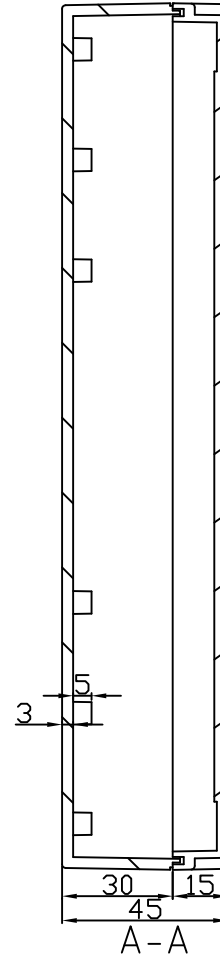
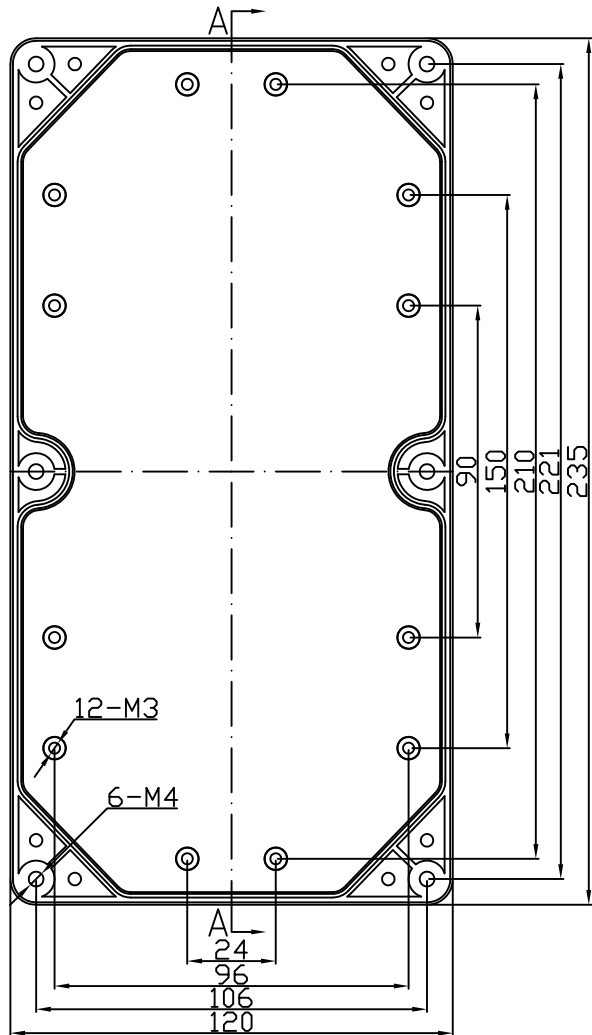



REVISION RECORD				
REV	ECD	DESCRIPTION	DRFT	CHKD



DETACHED LISTS	MM (INCH)	DRAWN	NAME	DATE	 <b>EVEREST</b> WWW.EVERESTCASE.COM	
	TOLERANCES EXCEPT AS NOTED	CHECKED	Aaron	03/05/2015		
	MM	ENG APPR.				
	.0 ± 0.3 ±					
.00 ± 0.2 ±				TITLE		
.000 ± 0.1 ±				PW071		
ANGLES ± 5°				DRAWING NO. PW071	SIZE	
				/PART NO. 00	A4	
FIRST ANGLE PROJECTION				SCALE: 1:1	DO NOT SCALE DRAWING	REV
					SHEET 1	OF 1