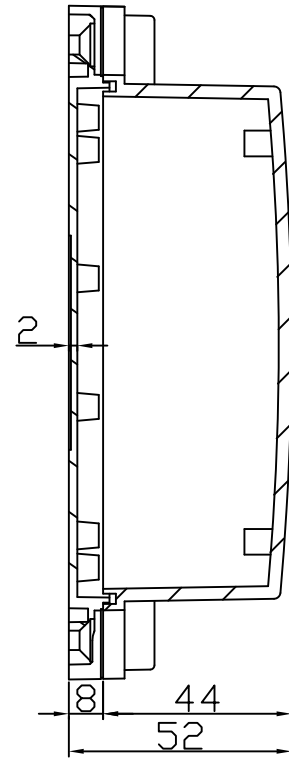
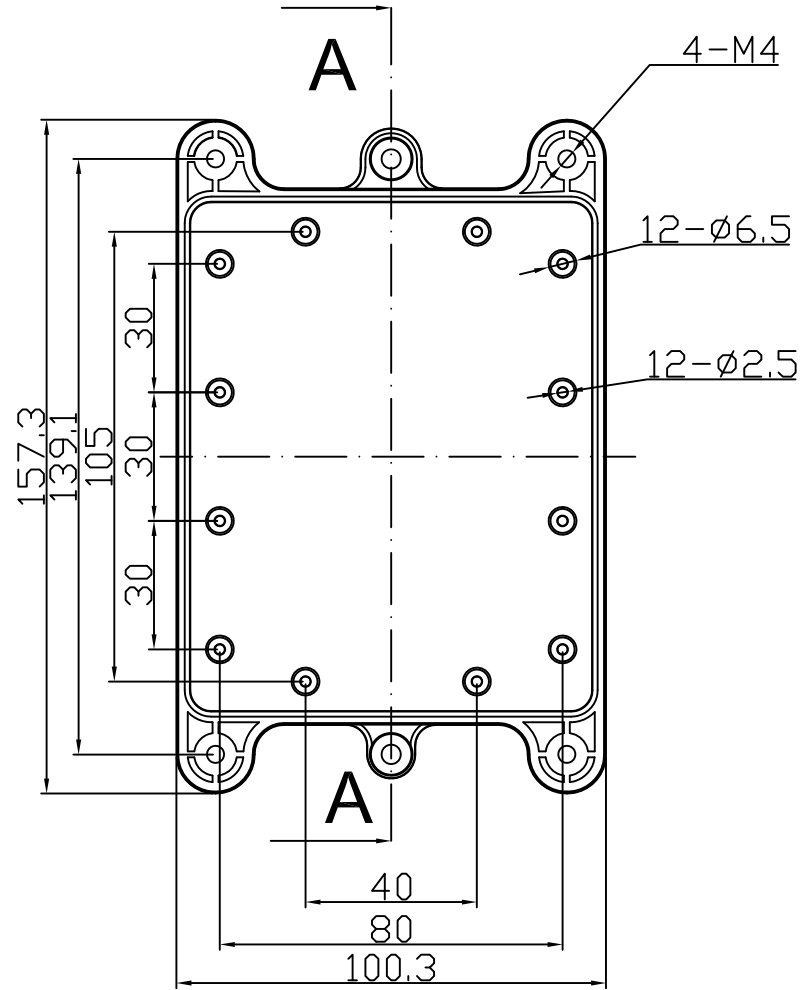
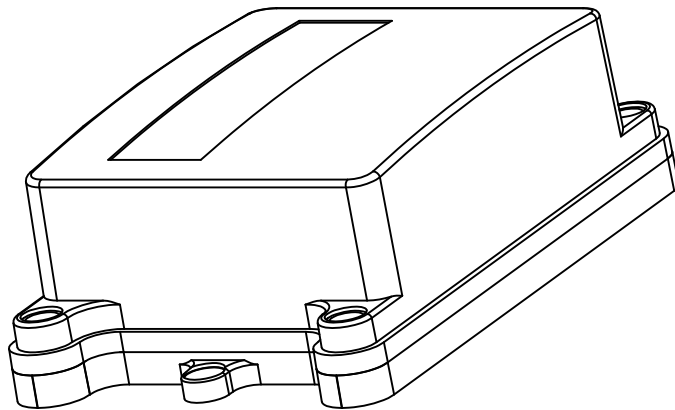
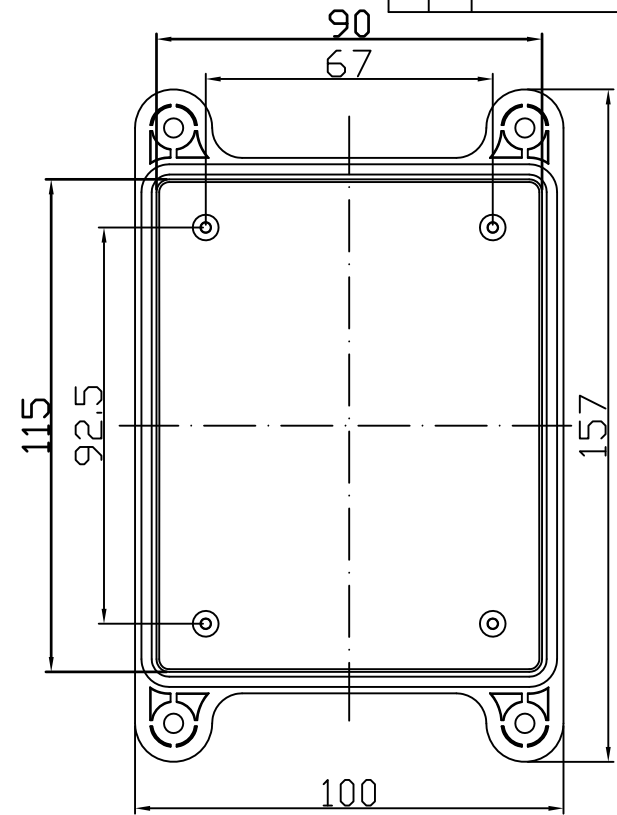


REVISION RECORD				
REV	ECD	DESCRIPTION	DRFT	CHKD



A-A



DETACHED LISTS	MM (INCH)	DRAWN	NAME	DATE	E:\new logo.jpg	EVEREST WWW.EVERESTCASE.COM	
	TOLERANCES EXCEPT AS NOTED	Kelvin	03/03/2015				
	MM	CHECKED	ENG APPR		TITLE	PW048	
	.0 ± 0.3 ±				MATERIAL : ABS		
.00 ± 0.2 ±				QT'Y :	DRAWING NO. PW048	SIZE	REV
.000 ± 0.1 ±				FINISH:	/PART NO. 00	A4	
ANGLES ± 5°				SCALE : 1:1	DO NOT SCALE DRAWING	SHEET 1	OF 1
FIRST ANGLE PROJECTION							