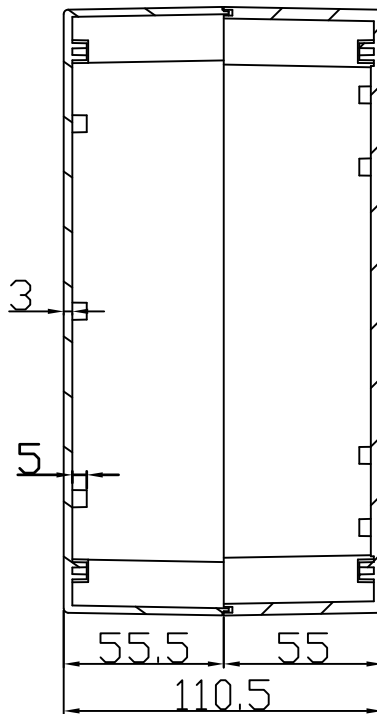
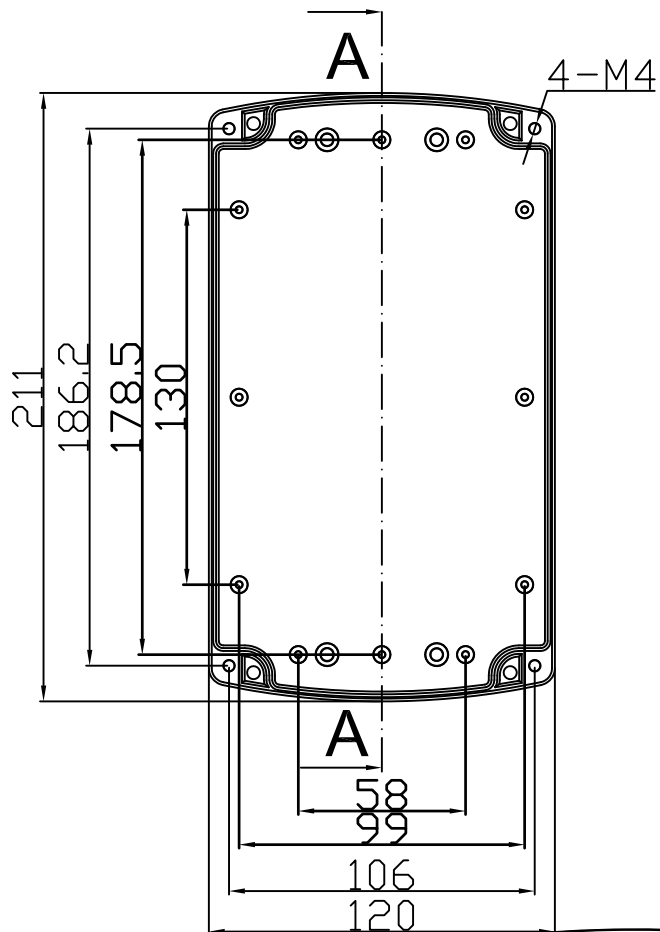
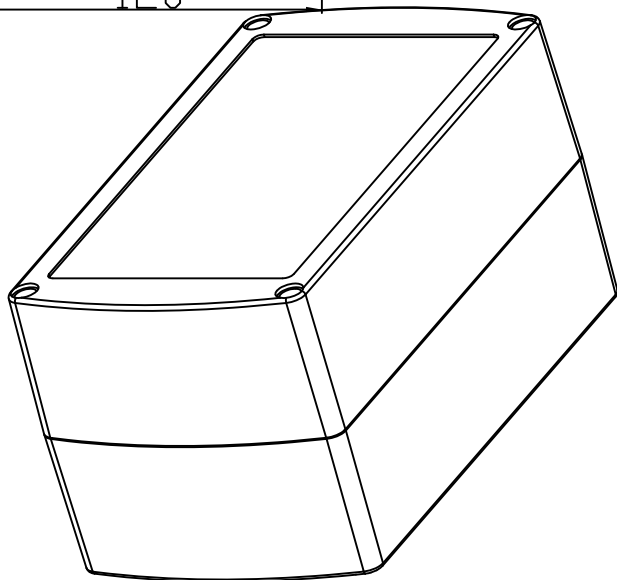
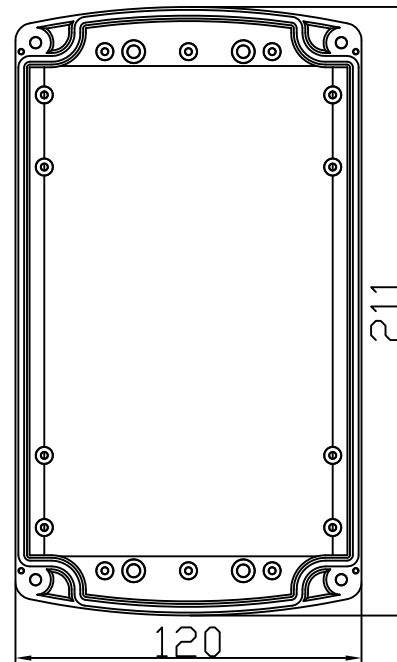


REVISION RECORD				
REV	ECD	DESCRIPTION	DRFT	CHKD



A-A



DETACHED LISTS			DRAWN	NAME	DATE		EVEREST WWW.EVERESTCASE.COM	
	TOLERANCES EXCEPT AS NOTED		CHECKED	Kelvin	02/03/2015			
	MM		ENG APPR.					
	.0 ± 0.3	±	MATERIAL : ABS		TITLE			
.00 ± 0.2	±	QT'Y :		PW040				
.000 ± 0.1	±	FINISH:		DRAWING NO. PW040				
ANGLES ± 5°		SCALE : 1:1		/PART NO. 00		SIZE	REV	
		DO NOT SCALE DRAWING		SHEET 1		A4	OF 1	