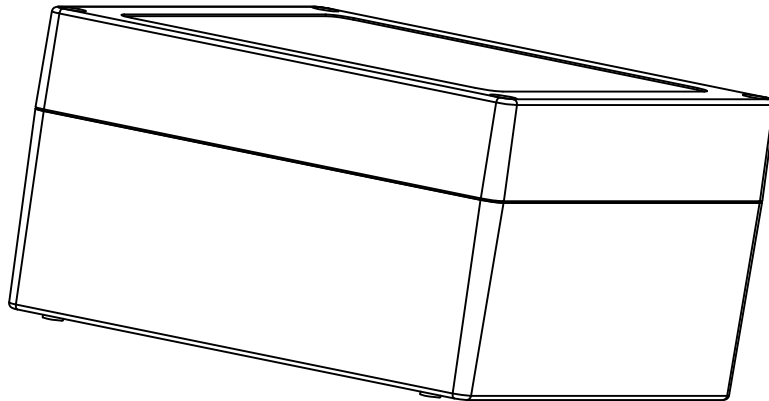
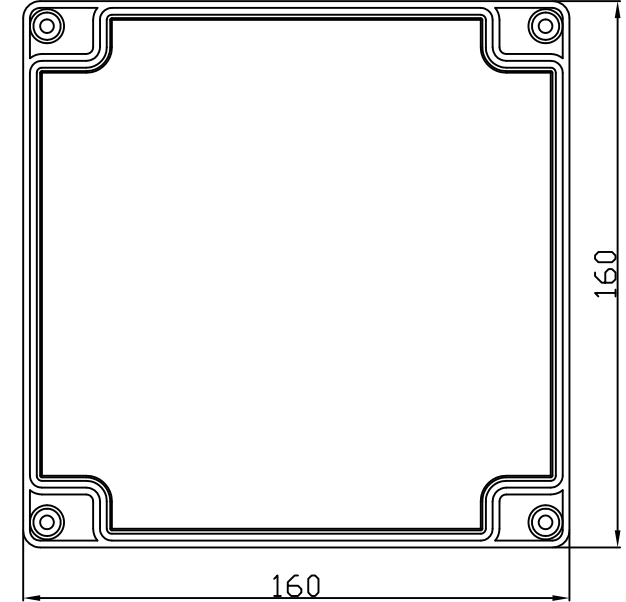
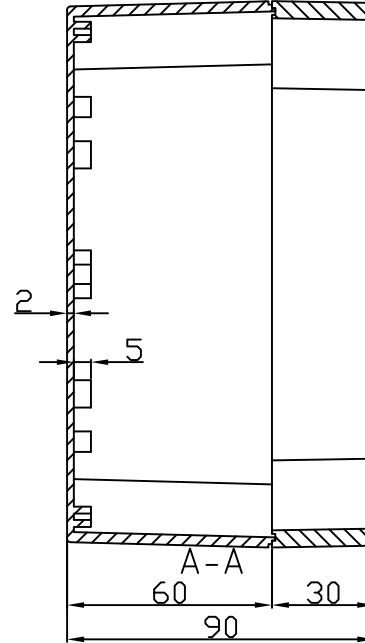
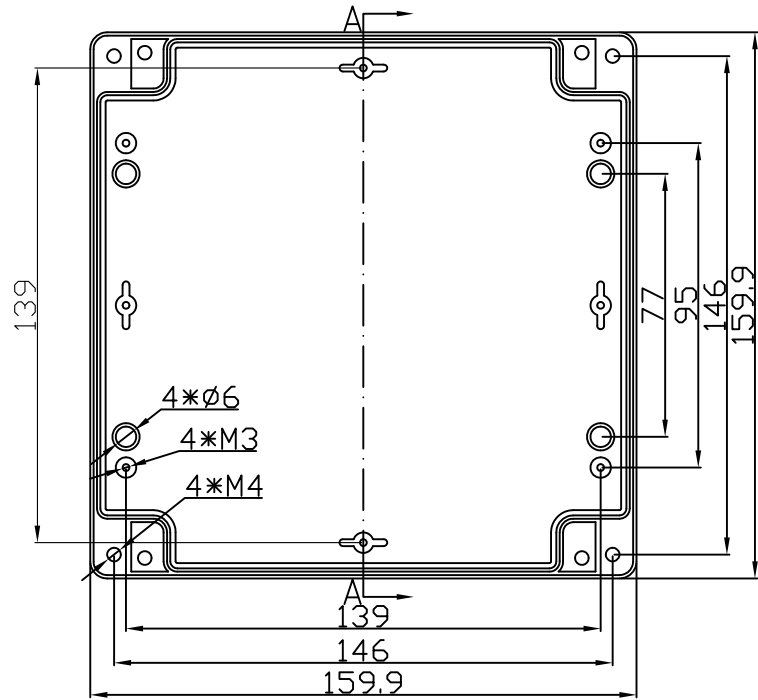


REVISION RECORD				
REV	ECD	DESCRIPTION	DRFT	CHKD



DETACHED LISTS	MM (INCH)		DRAWN	NAME	DATE	 <b>EVEREST</b> WWW.EVERESTCASE.COM	TITLE	
	TOLERANCES EXCEPT AS NOTED		CHECKED	Aaron	02/28/2015		PW003	
	MM	±	ENG APPR.				DRAWING NO. PW003	
	.0 ± 0.3	±					/PART NO. 00	
.00 ± 0.2	±	MATERIAL : ABS			DRAWING NO. PW003		SIZE	REV
.000 ± 0.1	±	QT'Y :			/PART NO. 00		A4	
ANGLES ± 5°		FINISH:			DO NOT SCALE DRAWING		SHEET 1 OF 1	
FIRST ANGLE PROJECTION		SCALE : 1:1						