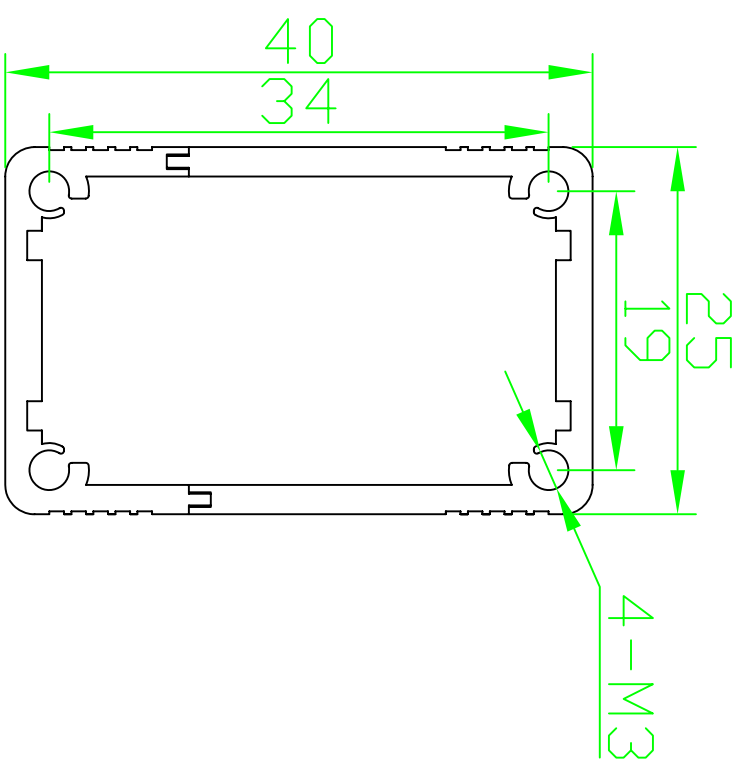


| REVISION RECORD | | | | |
|-----------------|-----|-------------|------|------|
| REV | ECN | DESCRIPTION | DRFT | CHKD |
| | | | | |



| DETACHED LISTS | | DATE | DATE | DATE | DATE | | | | | | | | | | | | | | | | | | | | | | | | | | | | | | | | | | | | | | | | | | | | | | | | | | | | | | | | | | |
|---|---------------------|--|------|---------|------|------|---------|---------|---------------------|---|---|---|----|-------|---|---|---|---|--|-------|------|------|------|-----|------|-------|------|--|-------|------|------|------|-----|------|-------|------|--|-------|------|------|------|-----|------|-------|------|--|-------|------|------|------|-----|------|-------|------|--|-------|------|------|------|-----|------|-------|------|
| <table border="1"> <tr> <td>MM</td> <td>± 0.3</td> <td>±</td> <td>±</td> <td>±</td> <td>±</td> </tr> <tr> <td>MM</td> <td>± 0.2</td> <td>±</td> <td>±</td> <td>±</td> <td>±</td> </tr> <tr> <td>MM</td> <td>± 0.1</td> <td>±</td> <td>±</td> <td>±</td> <td>±</td> </tr> </table> | MM | ± 0.3 | ± | ± | ± | ± | MM | ± 0.2 | ± | ± | ± | ± | MM | ± 0.1 | ± | ± | ± | ± | <table border="1"> <tr> <td>DRFTD</td> <td>DATE</td> </tr> <tr> <td>CHKD</td> <td>DATE</td> </tr> <tr> <td>MFD</td> <td>DATE</td> </tr> <tr> <td>APPVL</td> <td>DATE</td> </tr> </table> | DRFTD | DATE | CHKD | DATE | MFD | DATE | APPVL | DATE | <table border="1"> <tr> <td>DRFTD</td> <td>DATE</td> </tr> <tr> <td>CHKD</td> <td>DATE</td> </tr> <tr> <td>MFD</td> <td>DATE</td> </tr> <tr> <td>APPVL</td> <td>DATE</td> </tr> </table> | DRFTD | DATE | CHKD | DATE | MFD | DATE | APPVL | DATE | <table border="1"> <tr> <td>DRFTD</td> <td>DATE</td> </tr> <tr> <td>CHKD</td> <td>DATE</td> </tr> <tr> <td>MFD</td> <td>DATE</td> </tr> <tr> <td>APPVL</td> <td>DATE</td> </tr> </table> | DRFTD | DATE | CHKD | DATE | MFD | DATE | APPVL | DATE | <table border="1"> <tr> <td>DRFTD</td> <td>DATE</td> </tr> <tr> <td>CHKD</td> <td>DATE</td> </tr> <tr> <td>MFD</td> <td>DATE</td> </tr> <tr> <td>APPVL</td> <td>DATE</td> </tr> </table> | DRFTD | DATE | CHKD | DATE | MFD | DATE | APPVL | DATE | <table border="1"> <tr> <td>DRFTD</td> <td>DATE</td> </tr> <tr> <td>CHKD</td> <td>DATE</td> </tr> <tr> <td>MFD</td> <td>DATE</td> </tr> <tr> <td>APPVL</td> <td>DATE</td> </tr> </table> | DRFTD | DATE | CHKD | DATE | MFD | DATE | APPVL | DATE |
| MM | ± 0.3 | ± | ± | ± | ± | | | | | | | | | | | | | | | | | | | | | | | | | | | | | | | | | | | | | | | | | | | | | | | | | | | | | | | | | | |
| MM | ± 0.2 | ± | ± | ± | ± | | | | | | | | | | | | | | | | | | | | | | | | | | | | | | | | | | | | | | | | | | | | | | | | | | | | | | | | | | |
| MM | ± 0.1 | ± | ± | ± | ± | | | | | | | | | | | | | | | | | | | | | | | | | | | | | | | | | | | | | | | | | | | | | | | | | | | | | | | | | | |
| DRFTD | DATE | | | | | | | | | | | | | | | | | | | | | | | | | | | | | | | | | | | | | | | | | | | | | | | | | | | | | | | | | | | | | | |
| CHKD | DATE | | | | | | | | | | | | | | | | | | | | | | | | | | | | | | | | | | | | | | | | | | | | | | | | | | | | | | | | | | | | | | |
| MFD | DATE | | | | | | | | | | | | | | | | | | | | | | | | | | | | | | | | | | | | | | | | | | | | | | | | | | | | | | | | | | | | | | |
| APPVL | DATE | | | | | | | | | | | | | | | | | | | | | | | | | | | | | | | | | | | | | | | | | | | | | | | | | | | | | | | | | | | | | | |
| DRFTD | DATE | | | | | | | | | | | | | | | | | | | | | | | | | | | | | | | | | | | | | | | | | | | | | | | | | | | | | | | | | | | | | | |
| CHKD | DATE | | | | | | | | | | | | | | | | | | | | | | | | | | | | | | | | | | | | | | | | | | | | | | | | | | | | | | | | | | | | | | |
| MFD | DATE | | | | | | | | | | | | | | | | | | | | | | | | | | | | | | | | | | | | | | | | | | | | | | | | | | | | | | | | | | | | | | |
| APPVL | DATE | | | | | | | | | | | | | | | | | | | | | | | | | | | | | | | | | | | | | | | | | | | | | | | | | | | | | | | | | | | | | | |
| DRFTD | DATE | | | | | | | | | | | | | | | | | | | | | | | | | | | | | | | | | | | | | | | | | | | | | | | | | | | | | | | | | | | | | | |
| CHKD | DATE | | | | | | | | | | | | | | | | | | | | | | | | | | | | | | | | | | | | | | | | | | | | | | | | | | | | | | | | | | | | | | |
| MFD | DATE | | | | | | | | | | | | | | | | | | | | | | | | | | | | | | | | | | | | | | | | | | | | | | | | | | | | | | | | | | | | | | |
| APPVL | DATE | | | | | | | | | | | | | | | | | | | | | | | | | | | | | | | | | | | | | | | | | | | | | | | | | | | | | | | | | | | | | | |
| DRFTD | DATE | | | | | | | | | | | | | | | | | | | | | | | | | | | | | | | | | | | | | | | | | | | | | | | | | | | | | | | | | | | | | | |
| CHKD | DATE | | | | | | | | | | | | | | | | | | | | | | | | | | | | | | | | | | | | | | | | | | | | | | | | | | | | | | | | | | | | | | |
| MFD | DATE | | | | | | | | | | | | | | | | | | | | | | | | | | | | | | | | | | | | | | | | | | | | | | | | | | | | | | | | | | | | | | |
| APPVL | DATE | | | | | | | | | | | | | | | | | | | | | | | | | | | | | | | | | | | | | | | | | | | | | | | | | | | | | | | | | | | | | | |
| DRFTD | DATE | | | | | | | | | | | | | | | | | | | | | | | | | | | | | | | | | | | | | | | | | | | | | | | | | | | | | | | | | | | | | | |
| CHKD | DATE | | | | | | | | | | | | | | | | | | | | | | | | | | | | | | | | | | | | | | | | | | | | | | | | | | | | | | | | | | | | | | |
| MFD | DATE | | | | | | | | | | | | | | | | | | | | | | | | | | | | | | | | | | | | | | | | | | | | | | | | | | | | | | | | | | | | | | |
| APPVL | DATE | | | | | | | | | | | | | | | | | | | | | | | | | | | | | | | | | | | | | | | | | | | | | | | | | | | | | | | | | | | | | | |
| ANGLES ± 5° | QTY : 1 | MATERIAL : AL | | | | | | | | | | | | | | | | | | | | | | | | | | | | | | | | | | | | | | | | | | | | | | | | | | | | | | | | | | | | | |
| FINISH: | SCALE : 1:1 | TITLE | | | | | | | | | | | | | | | | | | | | | | | | | | | | | | | | | | | | | | | | | | | | | | | | | | | | | | | | | | | | | |
| DD NOT SCALE DRAWING | DRAWING NO. AHH167 | <table border="1"> <tr> <td>埃弗勒斯</td> <td>EVEREST</td> </tr> <tr> <td>EVEREST</td> <td>WWW.EVERESTCASE.COM</td> </tr> </table> | | | | 埃弗勒斯 | EVEREST | EVEREST | WWW.EVERESTCASE.COM | | | | | | | | | | | | | | | | | | | | | | | | | | | | | | | | | | | | | | | | | | | | | | | | | | | | | | |
| 埃弗勒斯 | EVEREST | | | | | | | | | | | | | | | | | | | | | | | | | | | | | | | | | | | | | | | | | | | | | | | | | | | | | | | | | | | | | | |
| EVEREST | WWW.EVERESTCASE.COM | | | | | | | | | | | | | | | | | | | | | | | | | | | | | | | | | | | | | | | | | | | | | | | | | | | | | | | | | | | | | | |
| | /PART NO. | SIZE | REV | | | | | | | | | | | | | | | | | | | | | | | | | | | | | | | | | | | | | | | | | | | | | | | | | | | | | | | | | | | | |
| | | A4 | | | | | | | | | | | | | | | | | | | | | | | | | | | | | | | | | | | | | | | | | | | | | | | | | | | | | | | | | | | | | |
| | | | | SHEET X | OF Y | | | | | | | | | | | | | | | | | | | | | | | | | | | | | | | | | | | | | | | | | | | | | | | | | | | | | | | | | | |