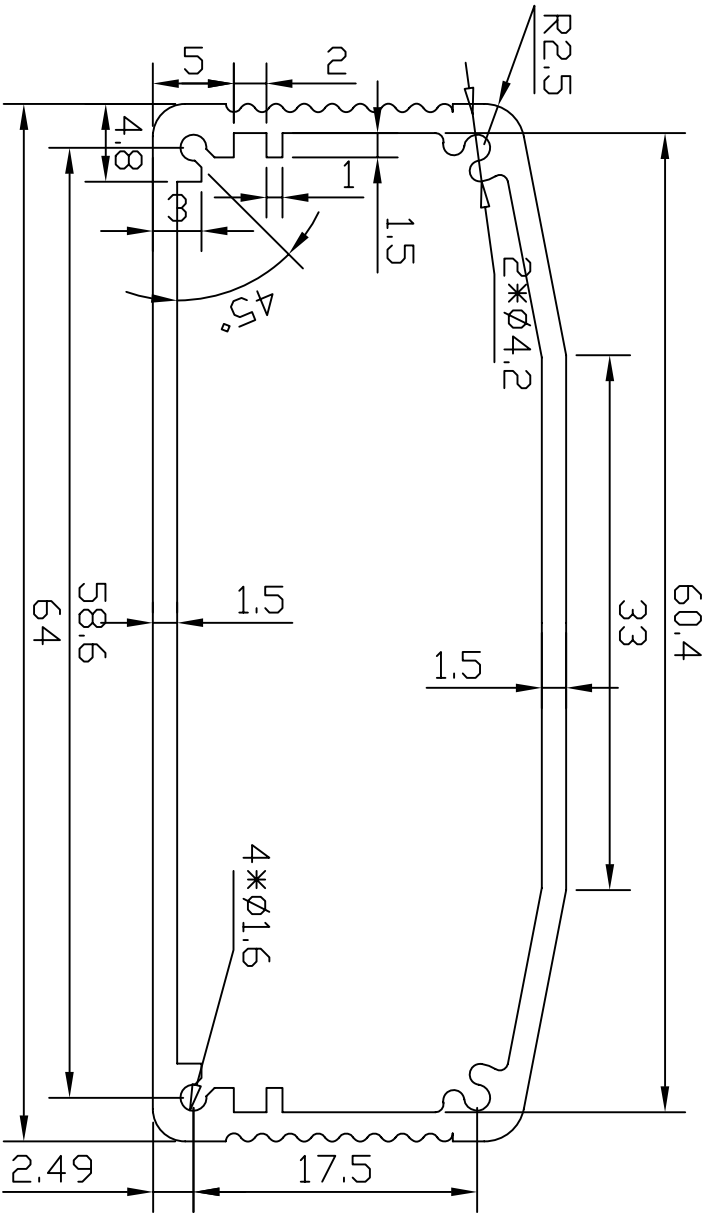


REVISION RECORD				
REV	ECO	DESCRIPTION	DRFT	CHKD



DETACHED LISTS		DATE
DATE	DATE	DATE
CHKD	DATE	DATE
MFD	DATE	DATE
APPVL	DATE	DATE
MATERIAL: AL		
QTY: 1		
FINISH:		
SCALE: 1:1		
THIRD ANGLE PROJECTION		

UNIT	INCHES	MM
ANGLE ± SP	±	±
MM	± 0.03	±
MM	± 0.02	±
MM	± 0.01	±

		EVEREST WWW.EVERESTCASE.COM	
TITLE			
AEH023			
DRAWING NO. AEH023		SIZE	
/PART NO. 00		A4	
DID NOT SCALE DRAWING		REV	
SHEET 1		OF 1	