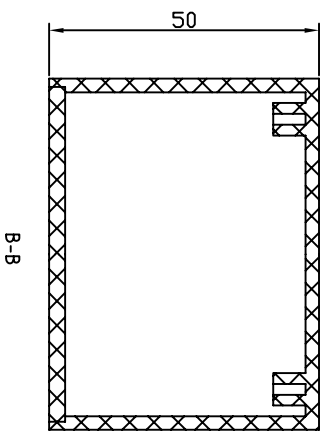
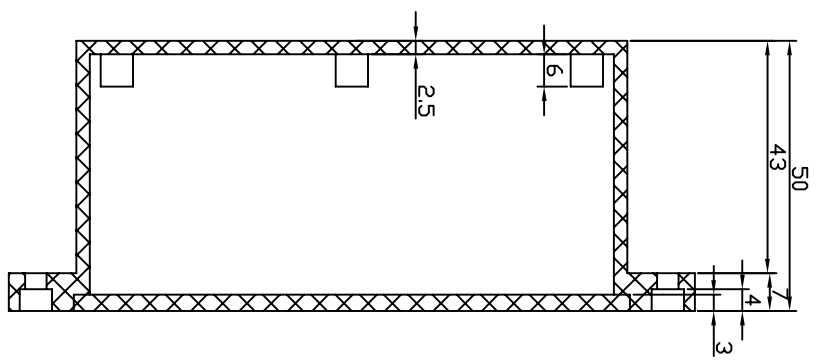
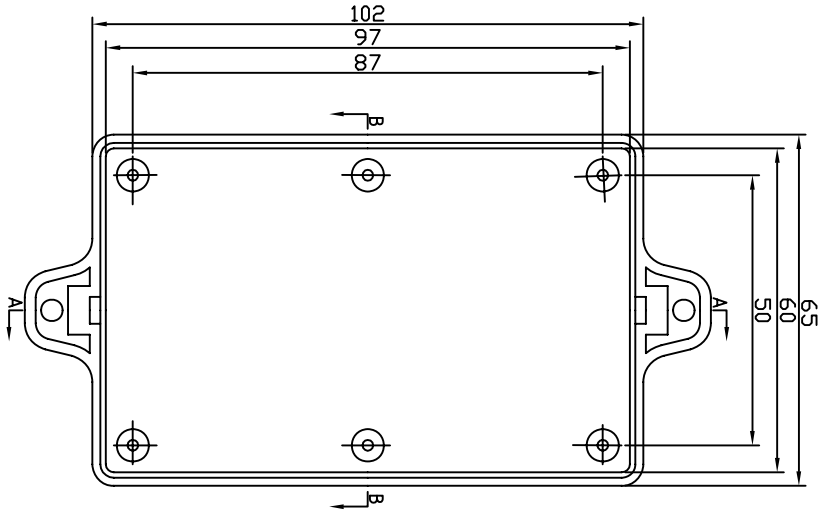


REVISION RECORD				
REV	ECD	DESCRIPTION	DRFT	CHKD



TOLERANCES EXCEPT AS NOTED		DIMENSIONS		TITLES	
MM	INCHES	MM	INCHES	DATE	DATE
0.1 ± 0.3	±	DATE	DATE	 EVEREST WWW.EVERESTCASE.COM	
0.00 ± 0.02	±	DATE	DATE	TITLE PC043	
0.00 ± 0.01	±	DATE	DATE	DRAWING NO. PC043 /PART NO. 00 SIZE A4 REV	
ANGLES ± 5° THIRD ANGLE PROJECTION		DRFT CHKD MFD APPVL	DATE DATE DATE DATE	MATERIAL : ABS QTY : FINISH: SCALE : 1:1	
DETACHED LISTS		DD NOT SCALE DRAWING		SHEET 1 OF 1	