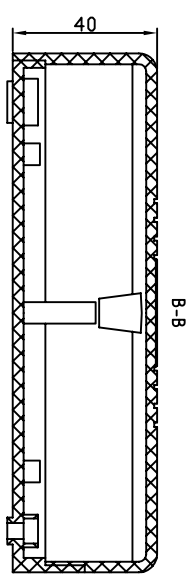
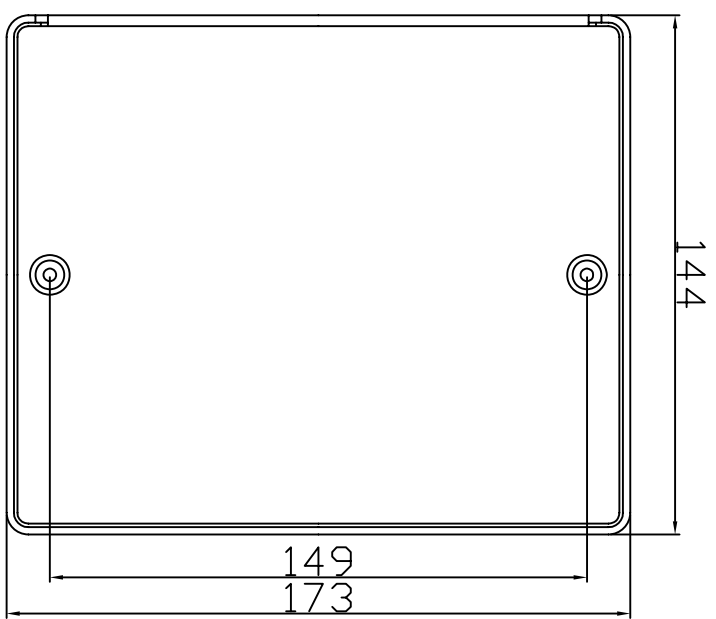
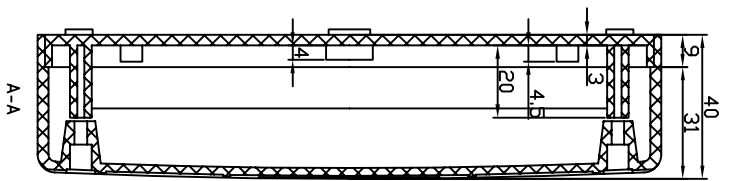
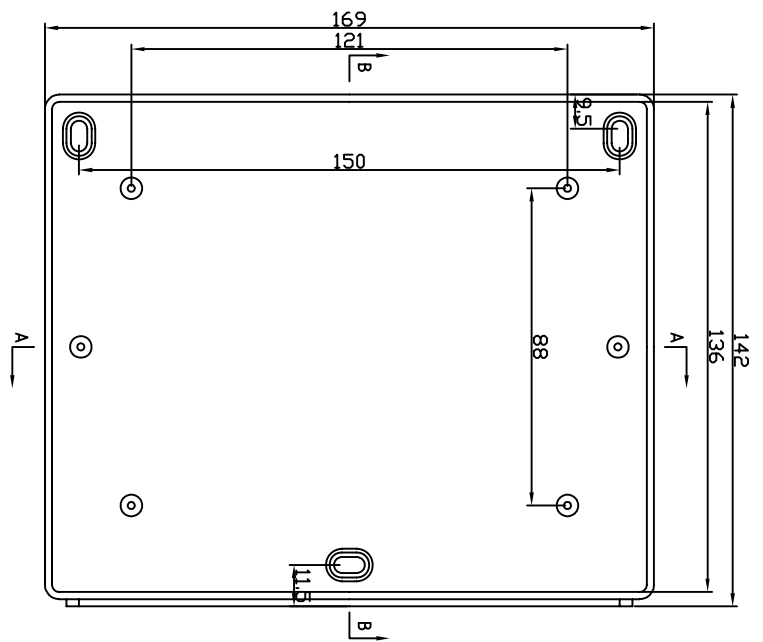


REVISION RECORD				
REV/	ECD/	DESCRIPTION	DRFT	CHKD



DETACHED LISTS			
 THIRD ANGLE PROJECTION	TOLERANCES EXCEPT AS NOTED MM: 0 ± 0.3, .00 ± 0.02, 0.00 ± 0.1 ANGLES ± 5°	DRFTD: CHKD, MFD, APPVL DATE: DATE, DATE, DATE	MATERIAL: ABS QT'Y: 1
	FINISH:	TITLE:	DRAWING NO. PC030 /PART NO. 00
SCALE: 1:1	EVEREST 埃弗勒斯 WWW.EVERESTCASE.COM	DD NOT SCALE DRAWING	SIZE: A4 REV:
SHEET 1 OF 1	PC030	SHEET 1 OF 1	OF 1