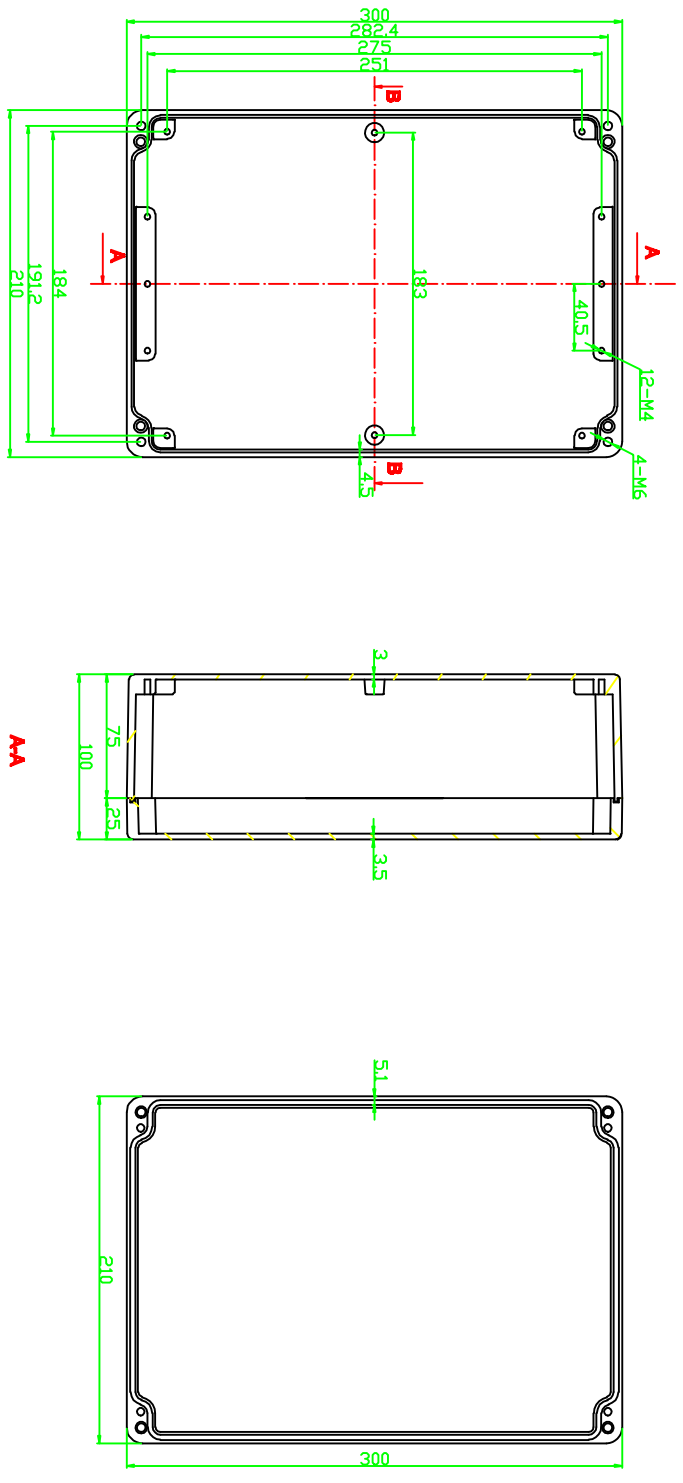


REVISION RECORD				
REV	ECO	DESCRIPTION	DRFT	CHKD



DETACHED LISTS

TOLERANCES EXCEPT AS NOTED	MM	(INCH)
MM	±	±
	0 ± 0.3	
	.00 ± 0.02	
	.000 ± 0.01	

ANGLES ± 5°	QTY :	MATERIAL :
±		AL

DRAWN	NAME	DATE
KAWIN		12/09/2014

CHECKED	ENG APPR

FINISH: _____

SCALE: 1:1

埃弗勒勒
EVEREST
WWW.EVERESTCASE.COM

TITLE

AW092

DRAWING NO. **AW092**

/PART NO. **00**

DID NOT SCALE DRAWING

SHEET 1 OF 1

SIZE **A4**

REV