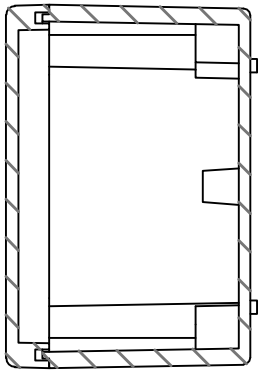
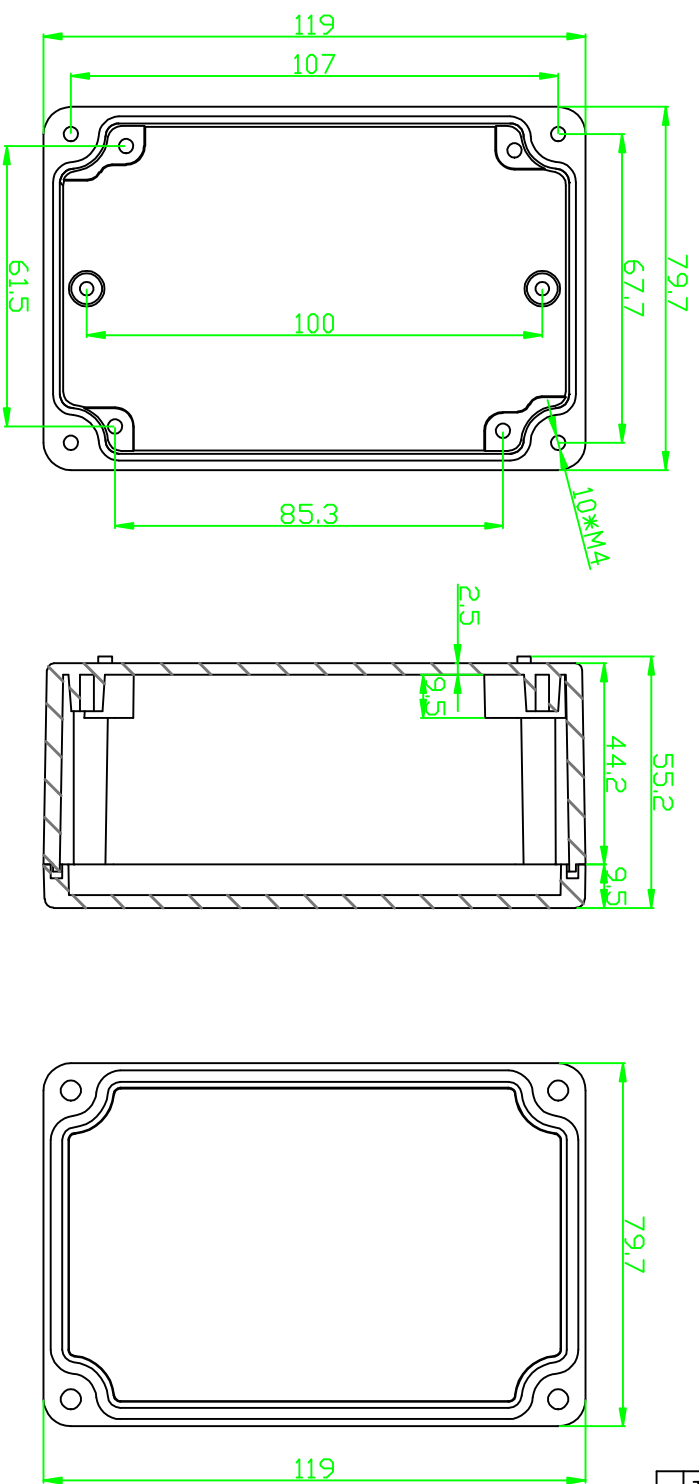


REVISION RECORD				
REV	ECD	DESCRIPTION	DRFT	CHKD



DETACHED LISTS		NAME	DATE
 FIRST ANGLE PROJECTION	(INCH) \longleftrightarrow (MM) \longleftrightarrow	Jonse	12/09/2014
TOLERANCES EXCEPT AS NOTED MM 0.1 \pm 0.03 0.00 \pm 0.01		CHECKED	
ANGLES \pm 5°		ENG APPR	
MATERIAL: AL		DATE	
FINISH:		NAME	
SCALE: 1:1		DATE	
DRAWING NO: AW079		埃弗勒斯 EVEREST WWW.EVERESTCASE.COM	
PART NO: 00		AW079	
IDO NOT SCALE DRAWING		TITLE	
SHEET 1 OF 1		SIZE A4	
REV		REV	