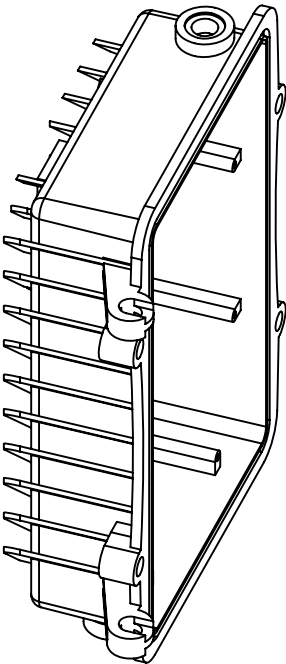
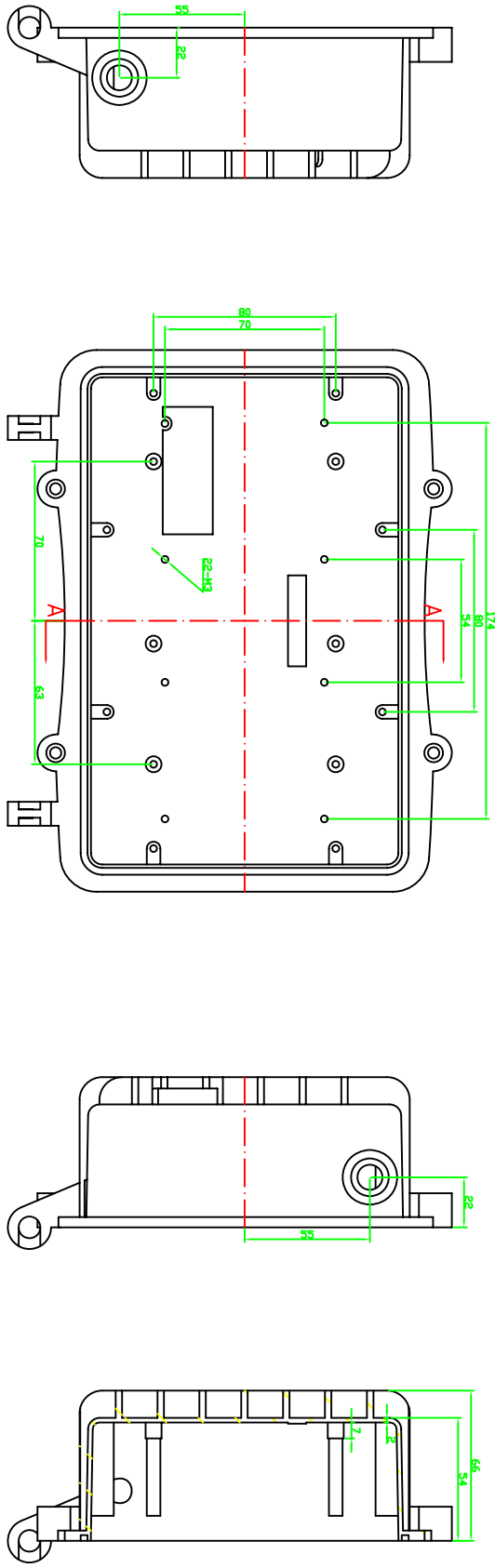


REVISION RECORD				
REV	ECD	DESCRIPTION	DRFT	CHKD



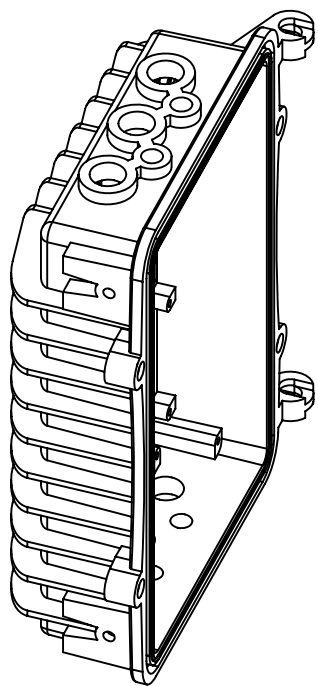
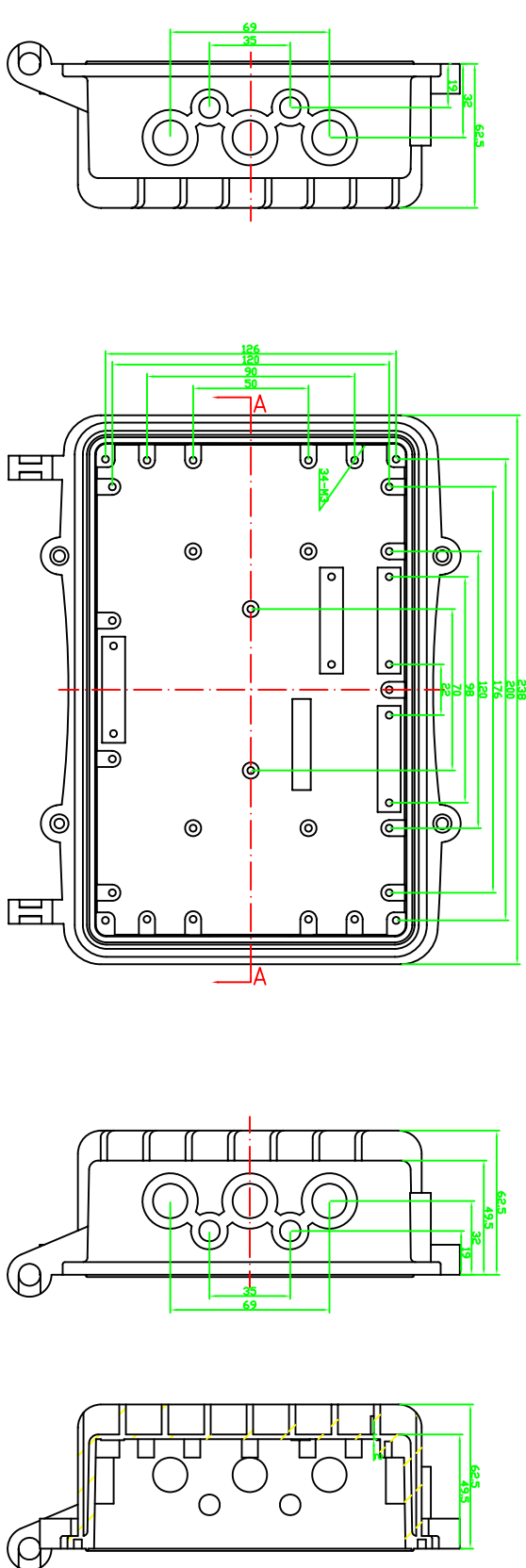
DETACHED LISTS																									
<table border="1"> <tr> <td>MM</td> <td>(INCH)</td> <td>MM</td> <td>(INCH)</td> </tr> <tr> <td>0.1 ± 0.03</td> <td></td> <td>±</td> <td></td> </tr> <tr> <td>0.00 ± 0.02</td> <td></td> <td>±</td> <td></td> </tr> <tr> <td>0.00 ± 0.01</td> <td></td> <td>±</td> <td></td> </tr> </table>	MM	(INCH)	MM	(INCH)	0.1 ± 0.03		±		0.00 ± 0.02		±		0.00 ± 0.01		±		<table border="1"> <tr> <td>DATE</td> <td>DATE</td> </tr> <tr> <td>DATE</td> <td>DATE</td> </tr> <tr> <td>DATE</td> <td>DATE</td> </tr> <tr> <td>DATE</td> <td>DATE</td> </tr> </table>	DATE	DATE	DATE	DATE	DATE	DATE	DATE	DATE
MM	(INCH)	MM	(INCH)																						
0.1 ± 0.03		±																							
0.00 ± 0.02		±																							
0.00 ± 0.01		±																							
DATE	DATE																								
DATE	DATE																								
DATE	DATE																								
DATE	DATE																								
<table border="1"> <tr> <td>DRFTD</td> <td>DATE</td> </tr> <tr> <td>CHKD</td> <td>DATE</td> </tr> <tr> <td>MFD</td> <td>DATE</td> </tr> <tr> <td>APPVL</td> <td>DATE</td> </tr> </table>	DRFTD	DATE	CHKD	DATE	MFD	DATE	APPVL	DATE	<table border="1"> <tr> <td>QTY</td> <td>1</td> </tr> <tr> <td>MATERIAL</td> <td>AL</td> </tr> </table>	QTY	1	MATERIAL	AL												
DRFTD	DATE																								
CHKD	DATE																								
MFD	DATE																								
APPVL	DATE																								
QTY	1																								
MATERIAL	AL																								
<table border="1"> <tr> <td>FINISH</td> <td></td> </tr> <tr> <td>SCALE</td> <td>1:1</td> </tr> </table>	FINISH		SCALE	1:1	<table border="1"> <tr> <td>DRAWING NO.</td> <td>AAP025-S</td> </tr> <tr> <td>PART NO.</td> <td></td> </tr> </table>	DRAWING NO.	AAP025-S	PART NO.																	
FINISH																									
SCALE	1:1																								
DRAWING NO.	AAP025-S																								
PART NO.																									
<table border="1"> <tr> <td>SIZE</td> <td>REV</td> </tr> <tr> <td>A4</td> <td></td> </tr> </table>	SIZE	REV	A4		<table border="1"> <tr> <td>SHEET</td> <td>X</td> <td>OF</td> <td>Y</td> </tr> <tr> <td></td> <td></td> <td></td> <td></td> </tr> </table>	SHEET	X	OF	Y																
SIZE	REV																								
A4																									
SHEET	X	OF	Y																						

EVEREST
 WWW.EVERESTCASE.COM

TITLE
AAP025-S

TOLERANCES EXCEPT AS NOTED
 ANGLES ± 5°
 FIRST ANGLE PROJECTION
 DD NOT SCALE DRAWING

REVISION RECORD				
REV	ECD	DESCRIPTION	DRFT	CHKD



DETACHED LISTS		DATE	DATE	DATE	DATE	DATE	DATE
MM	0.1 ± 0.3	MM	0.05 ± 0.2	MM	0.05 ± 0.2	MM	0.05 ± 0.2
MM	0.05 ± 0.2	MM	0.05 ± 0.2	MM	0.05 ± 0.2	MM	0.05 ± 0.2
MM	0.05 ± 0.1	MM	0.05 ± 0.1	MM	0.05 ± 0.1	MM	0.05 ± 0.1
ANGLES ± 5°	±	ANGLES ± 5°	±	ANGLES ± 5°	±	ANGLES ± 5°	±
TOLERANCES EXCEPT AS NOTED	±	TOLERANCES EXCEPT AS NOTED	±	TOLERANCES EXCEPT AS NOTED	±	TOLERANCES EXCEPT AS NOTED	±
FINISH:	QTY: 1	FINISH:	QTY: 1	FINISH:	QTY: 1	FINISH:	QTY: 1
SCALE: 1:1	MATERIAL: AL	SCALE: 1:1	MATERIAL: AL	SCALE: 1:1	MATERIAL: AL	SCALE: 1:1	MATERIAL: AL
DRIVING NO. AAP025-X	DRIVING NO. AAP025-X	DRIVING NO. AAP025-X	DRIVING NO. AAP025-X	DRIVING NO. AAP025-X	DRIVING NO. AAP025-X	DRIVING NO. AAP025-X	DRIVING NO. AAP025-X
SIZE A4	SIZE A4	SIZE A4	SIZE A4	SIZE A4	SIZE A4	SIZE A4	SIZE A4
SHEET X	SHEET X	SHEET X	SHEET X	SHEET X	SHEET X	SHEET X	SHEET X
OF Y	OF Y	OF Y	OF Y	OF Y	OF Y	OF Y	OF Y

埃弗勒斯 EVEREST
WWW.EVERESTCASE.COM

TITLE
AAP025-X