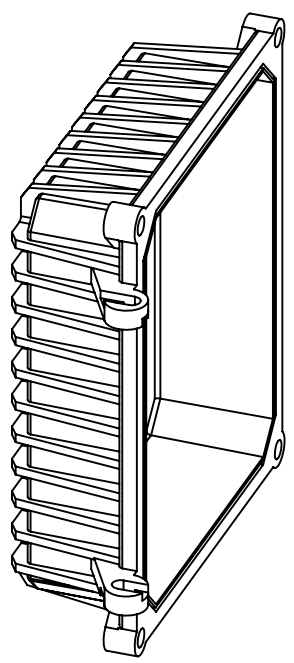
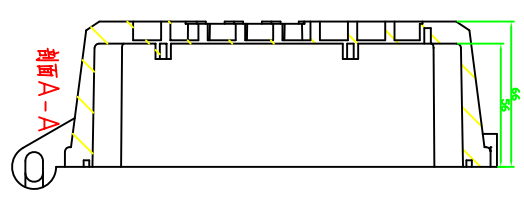
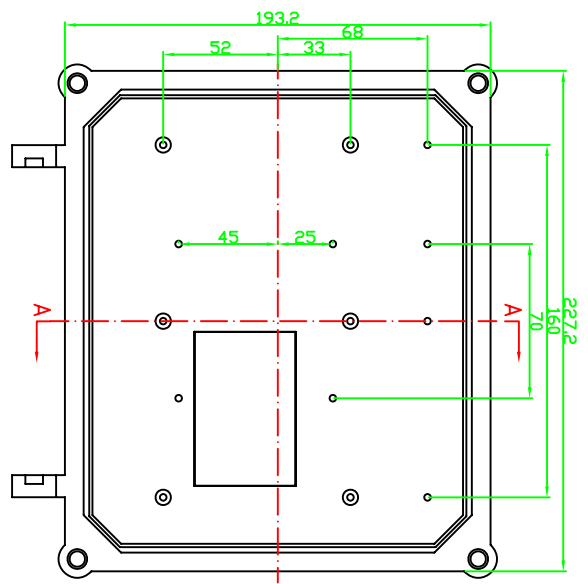
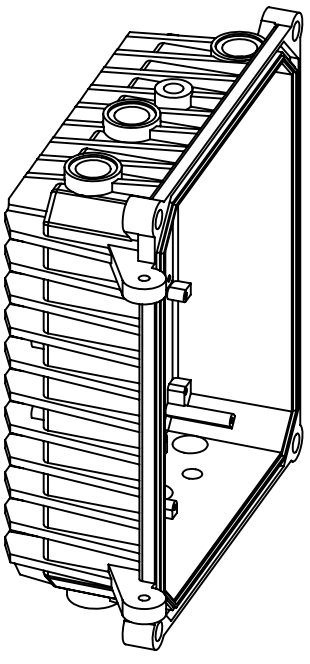
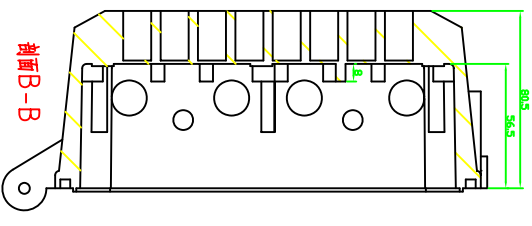
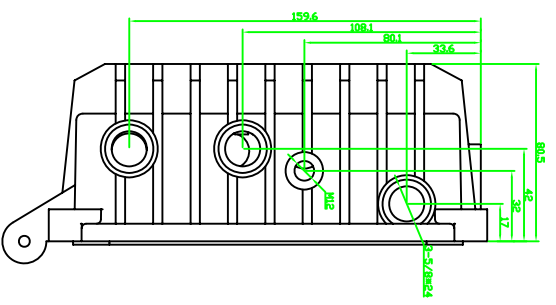
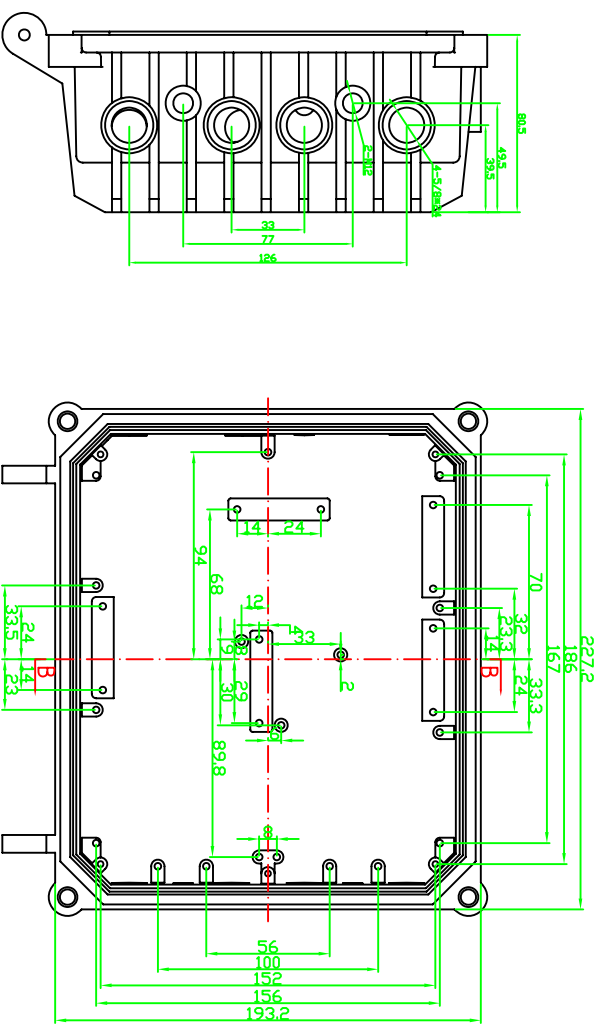


REVISION RECORD				
REV	ECD	DESCRIPTION	DRFT	CHKD



DETACHED LISTS	
 FIRST ANGLE PROJECTION	TOLERANCES EXCEPT AS NOTED MM: 0.1 ± 0.03, 0.05 ± 0.02, 0.00 ± 0.01 ANGLES ± 5°
FINISH:	QTY: 1
SCALE: 1:1	MATERIAL: AL
DD NOT SCALE DRAWING	SHEET X OF Y
埃弗勒斯 EVEREST WWW.EVERESTCASE.COM	
TITLE: AAP013-S	
DRAWING NO: AAP013-S	SIZE: A4
/PART NO:	REV:

REVISION RECORD			
REV	ECD	DESCRIPTION	DRFT



DETACHED LISTS			
 FIRST ANGLE PROJECTION	TOLERANCES EXCEPT AS NOTED MM .1 ± 0.3 .00 ± 0.2 .000 ± 0.1	ANGLES ± 5°	DRFTD CHKD MFD APPVL
FINISH:	DATE	DATE	DATE
SCALE: 1:1	MATERIAL: AL	QTY: 1	DATE
DD NOT SCALE DRAWING	DRAWING NO. AAP013-X /PART NO.	TITLE 埃弗勒斯 EVEREST WWW.EVERESTCASE.COM	DATE
SHEET X	SIZE A4	REV	REV