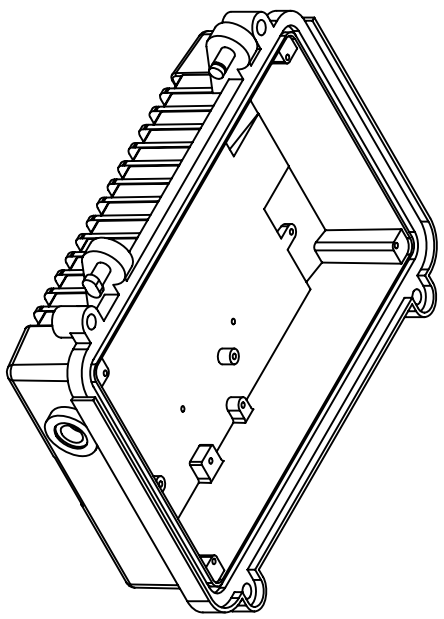
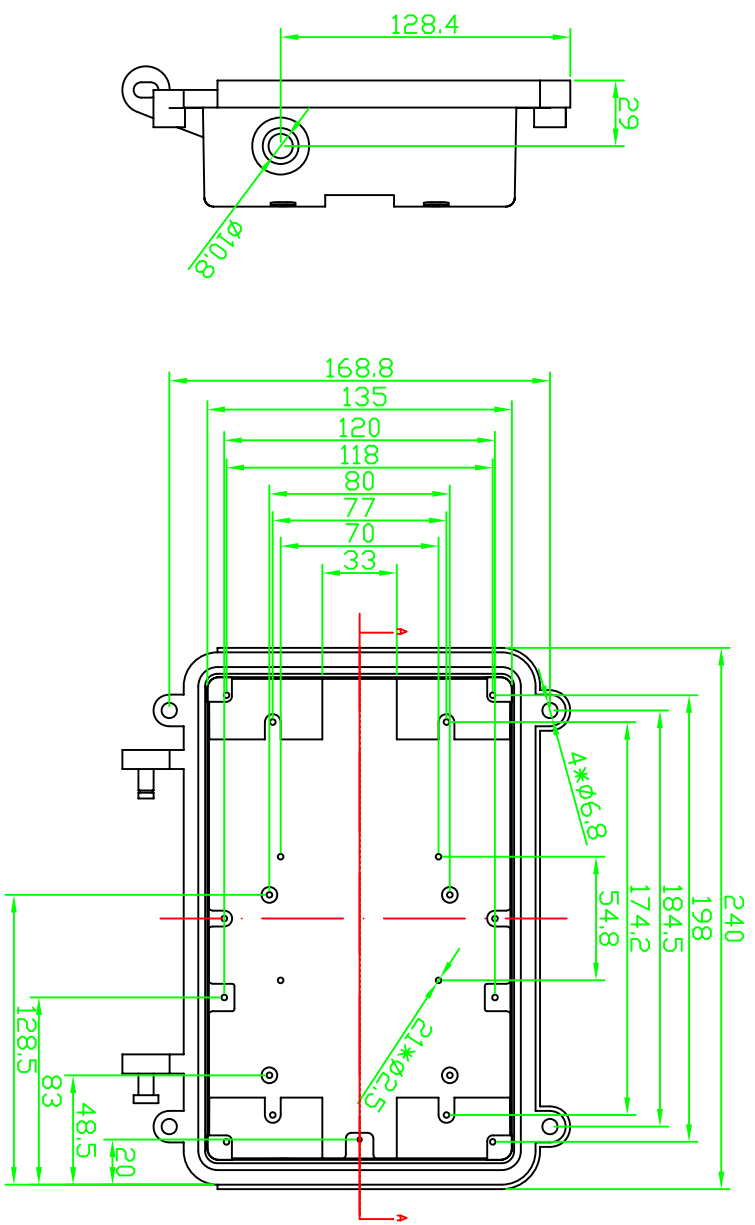
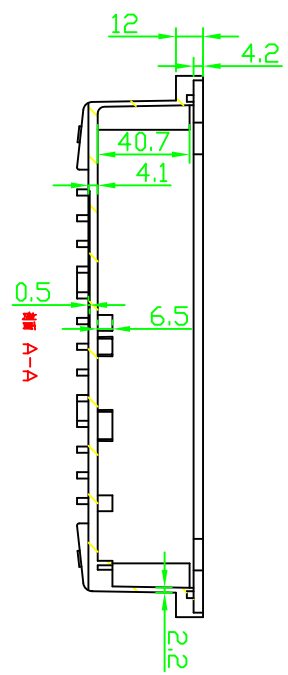
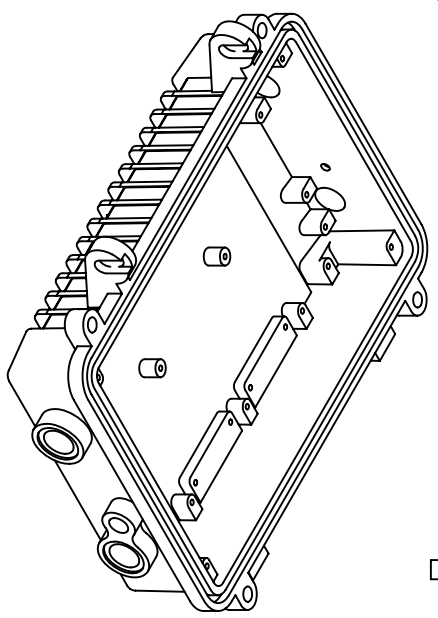
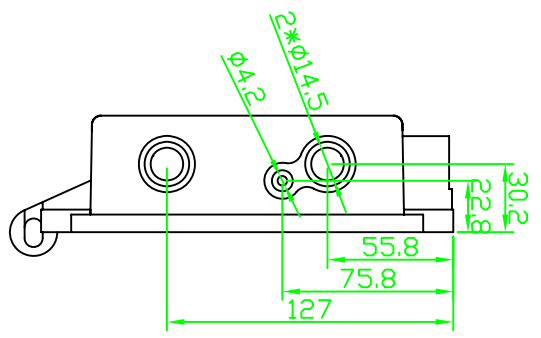
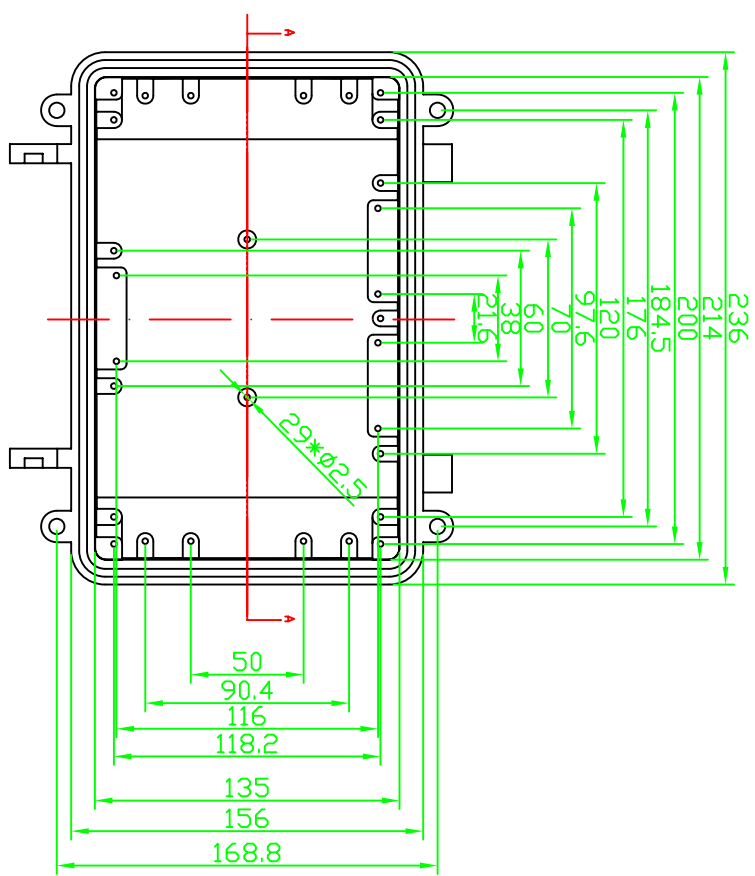
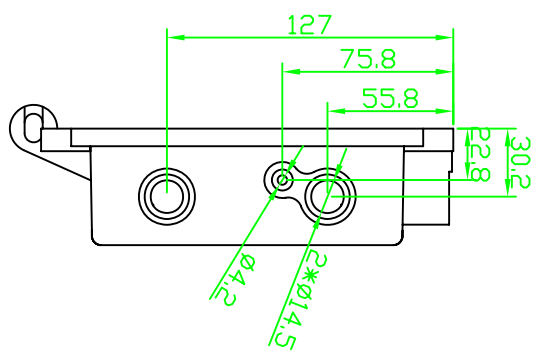
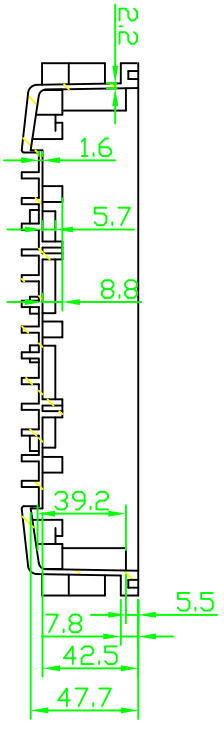


REVISION RECORD				
REV	ECD	DESCRIPTION	DRFT	CHKD



DETACHED LISTS																			
<table border="1"> <tr> <td>MM</td> <td>INCH</td> <td>MM</td> <td>INCH</td> </tr> <tr> <td>0 ± 0.3</td> <td></td> <td></td> <td></td> </tr> <tr> <td>0.00 ± 0.02</td> <td></td> <td></td> <td></td> </tr> <tr> <td>0.00 ± 0.01</td> <td></td> <td></td> <td></td> </tr> </table>	MM	INCH	MM	INCH	0 ± 0.3				0.00 ± 0.02				0.00 ± 0.01				TOLERANCES EXCEPT AS NOTED	DRFTD CHKD MFD APPVL	DATE DATE DATE DATE
MM	INCH	MM	INCH																
0 ± 0.3																			
0.00 ± 0.02																			
0.00 ± 0.01																			
ANGLES ± 5°		MATERIAL : AL	DATE																
FIRST ANGLE PROJECTION		QTY : 1	DATE																
		FINISH:	DATE																
		SCALE : 1:3	DATE																
TITLE AAP006A		EVEREST WWW.EVERESTCASE.COM																	
DRAWING NO. AAP006A		SIZE A4	REV																
DD NOT SCALE DRAWING		SHEET 1	OF 1																

REVISION RECORD				
REV	ECD	DESCRIPTION	DFT	CHKD



DETACHED LISTS		TOLERANCES EXCEPT AS NOTED		DATE	
MM	± 0.3	DATE	DATE	DATE	DATE
MM	± 0.2	DATE	DATE	DATE	DATE
MM	± 0.1	DATE	DATE	DATE	DATE
ANGLES ± 5°		MATERIAL: AL		TITLE	
FIRST ANGLE PROJECTION		QTY: 1		AAP006A	
SCALE: 1:3		FINISH:		DRAWING NO. AAP006A	
				/PART NO. 00	
				SIZE A4	
				REV	
				SHEET 1 OF 1	

埃弗勒斯
EVEREST
WWW.EVERESTCASE.COM