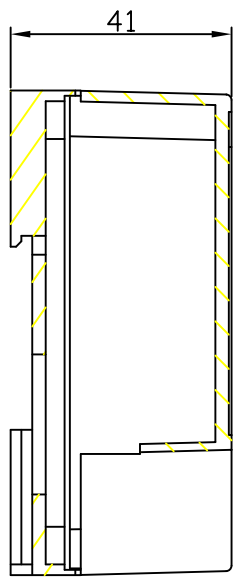
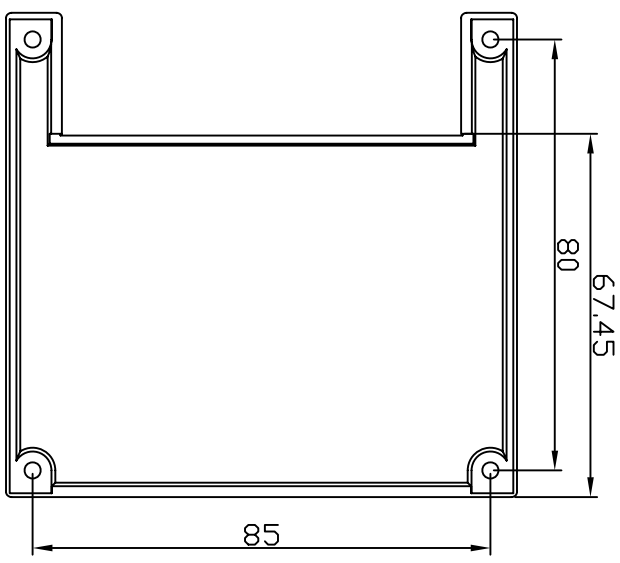
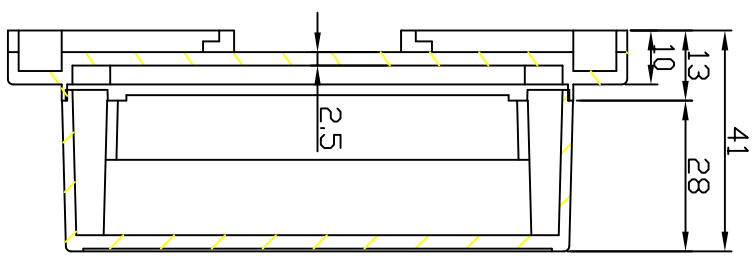
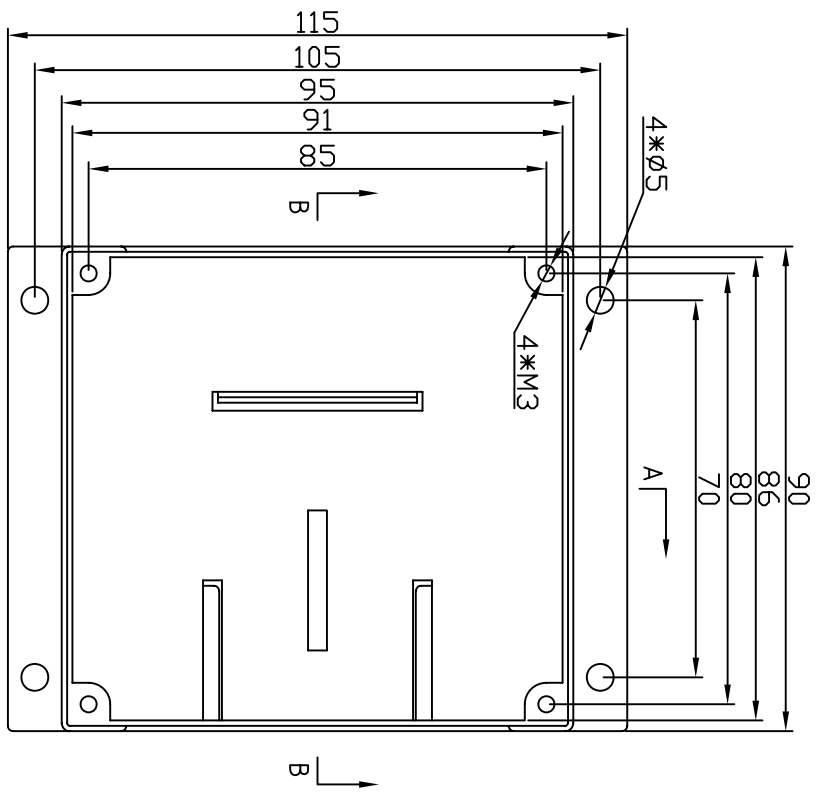
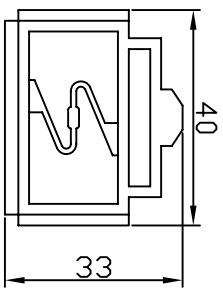


REVISION RECORD				
REV	ECD	DESCRIPTION	DRFT	CHKD



安装卡子



DETACHED LISTS			
MM (INCH)	DATE	DATE	DATE
TOLERANCES EXCEPT AS NOTED	CHKD	DATE	DATE
MM	APPVL	DATE	DATE
0 ± 0.3			
0.00 ± 0.02			
0.00 ± 0.01			
ANGLES ± 5°	QTY :	MATERIAL :	ABS
	FINISH :		
FIRST ANGLE PROJECTION	SCALE : 1:1	DRAWING NO. PLC013	SIZE A4
		DD NOT SCALE DRAWING	REV
			OF 1

埃弗勒斯 EVEREST
WWW.EVERESTCASE.COM

PLC013

TITLE